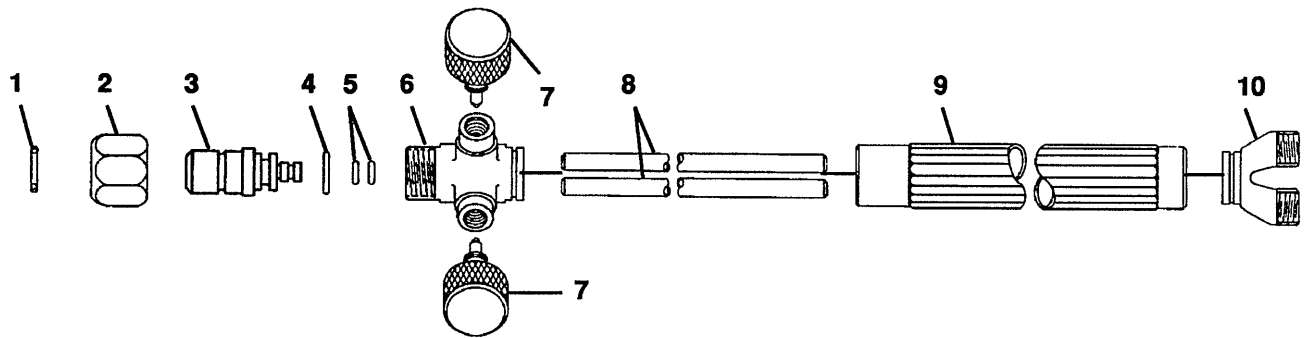


# Air Products

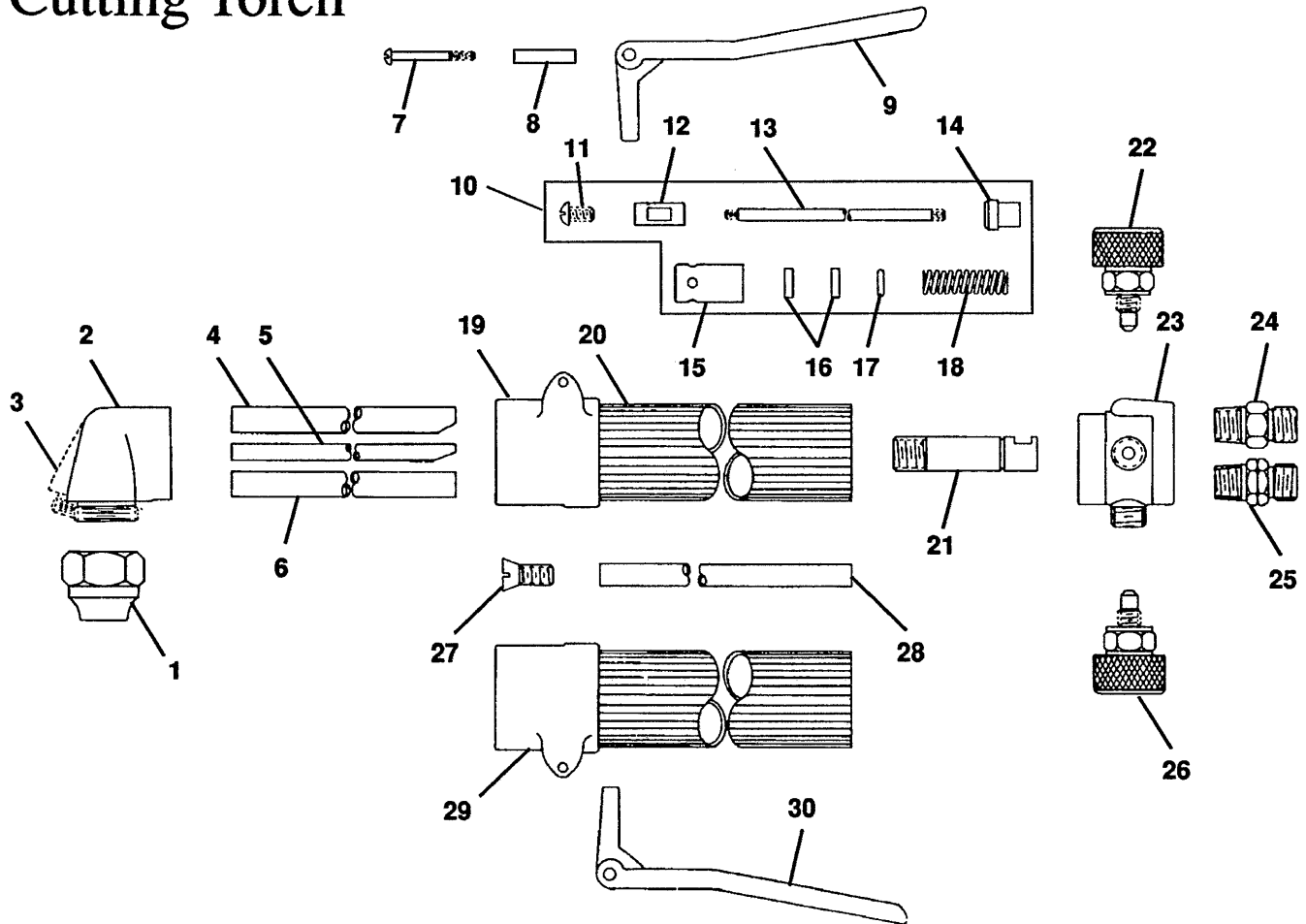
## Style 1000 Light Duty Aircraft Welding Torch



REF. NO.	MFG. NO.	S-S NO.	DESCRIPTION	CODE	REF. NO.	MFG. NO.	S-S NO.	DESCRIPTION	CODE
	224-7-1921		Light Duty Aircraft Welding Torch		6	229-G-400252		Torch Body	
1	229-X-400082	K-112	Mixer Nut Retaining Ring		7	229-K-400074	K-013	Needle Valve Stem Assembly (2)	
2	229-8-400081	K-111	Mixer Nut		8	229-B-400084		Supply Tubes, Oxygen and Acetylene (2)	
3	229-7-400088		Mixer		9	229-P-401310		Handle Tube	
4	229-T-360111	K-058	O-Ring, Large		10	229-R-360248	K-012	Rear End	
5	229-K-400080	K-110	O-Ring, Small (2)						

# Air Products

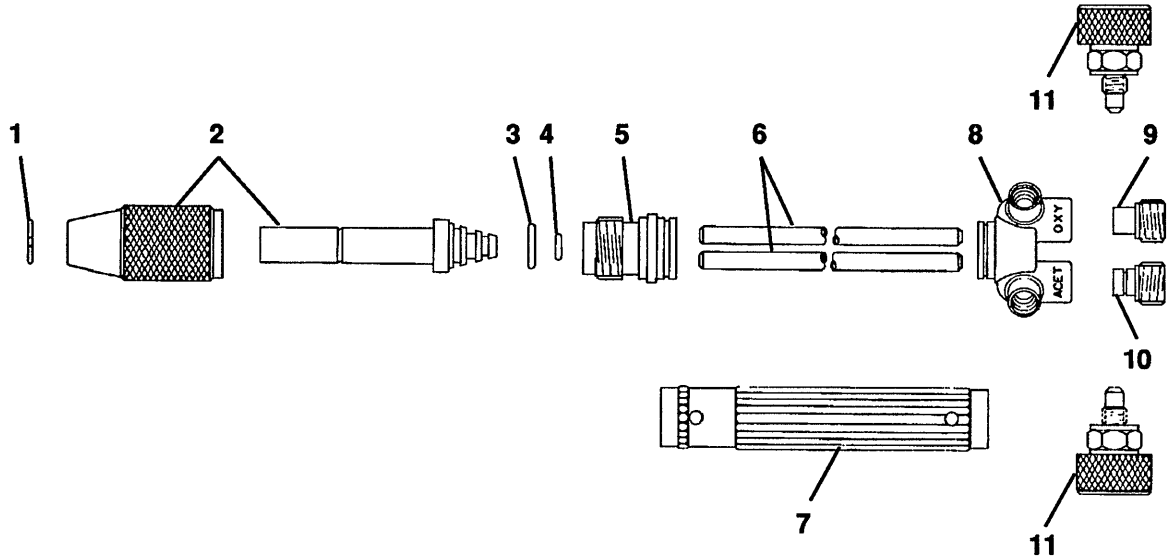
## Style 1100 Heavy Duty Cutting Torch



REF. NO.	MFG. NO.	S-S NO.	DESCRIPTION	CODE	REF. NO.	MFG. NO.	S-S NO.	DESCRIPTION	CODE
	221-Q-1170		Heavy Duty Cutting Torch	A	12	229-3-360017	K-027	Yoke	A thru F
	221-R-1171		Heavy Duty Cutting Torch	B	13	229-Q-360018	K-028	Valve Stem	A thru F
	221-J-1180		Heavy Duty Cutting Torch	C	14	229-F-360019	K-005	Seat Assembly	A thru F
	221-C-1190		Heavy Duty Cutting Torch	D	15	229-H-360021		Packing Nut	A thru F
	221-D-1191		Heavy Duty Cutting Torch	E	16	229-9-360022	K-031	Packing (2 Required)	A thru F
	221-7-1192		Heavy Duty Cutting Torch	F	17	229-M-360024	K-032	Packing Washer	A thru F
1	229-U-360000	K-007	Tip Nut	A thru F	18	229-C-360025	K-033	Spring	A thru F
2, 3	229-5-400003	K-044	Torch Head, 75°	A, B	19	229-8-360029		Handle Collar (Top Lever)	A, C, D, F
	229-P-360007		Torch Head, 180°	C	20	229-G-360028		Handle	A thru F
	229-T-400004		Torch Head, 90°	D, E, F	21	229-N-360033		H.P. Valve Housing	A thru F
4	229-6-360009		H.P. Oxygen Tube	A thru E	22	229-T-360036	K-039	Oxygen Needle Valve Stem Assembly	A thru F
	229-A-360391		H.P. Oxygen Tube	F	23	229-A-360056	K-040	Torch Base	A thru F
5	229-7-360010		L.P. Oxygen Tube	A thru E	24	239-Q-340028		Oxygen Inlet Nipple	A thru F
	229-2-360392		L.P. Oxygen Tube	F	25	239-W-340070		Acetylene Inlet Nipple	A thru F
6	229-R-360011		Acetylene Tube	A thru E	26	229-B-360659	K-043	Fuel Gas Needle Valve Assembly	A thru F
	229-P-360393		Acetylene Tube	F	27	229-M-360030	K-036	Torsion Rod Screw	A thru F
7	229-G-360012	K-022	H.P. Lever Screw	A thru F	28	229-O-360031		Torsion Rod	A thru F
8	229-8-360013	K-023	H.P. Lever Sleeve	A thru F	29	229-H-360177		Handle Collar (Bottom Lvr.)	B, E
9	229-X-360014	K-024	H.P. Lever (Top)	A, C, D, F	30	229-9-360178	K-042	Lever (Bottom)	B, E
10	229-L-360015		H.P. Valve Stem Assembly	A thru F					
11	229-B-360016	K-026	Yoke Adjusting Screw	A thru F					

# Air Products

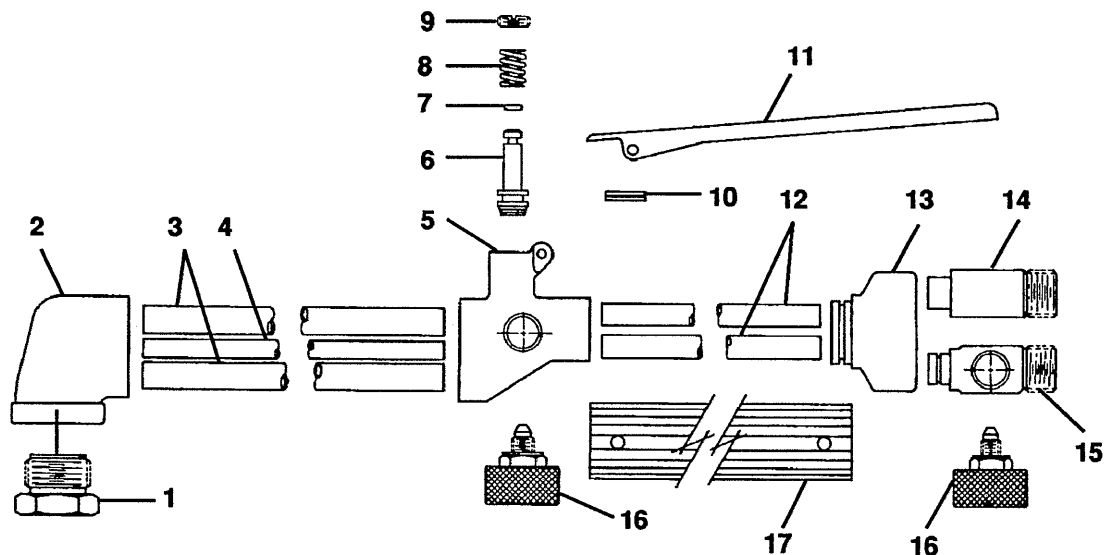
## Style 2000 Medium Duty Welding Torch



REF. NO.	MFG. NO.	S-S NO.	DESCRIPTION	CODE	REF. NO.	MFG. NO.	S-S NO.	DESCRIPTION	CODE
	224-7-2820		Medium Duty Welding Torch		6	229-E-360140		Supply Tubes (2)	
1	229-5-380008	K-271	Mixer Nut Retaining Ring		7	229-Q-360142		Handle Tube	
2	224-L-380068		Universal Mixer and Mixer Nut Assembly		8	229-3-360141		Torch Base	
3	229-N-380716	K-056	O-Ring, Large		9	229-F-360143	K-017	Oxygen Inlet Fitting	
4	229-1-380715	K-055	O-Ring, Small		10	229-7-360144	K-156	Acetylene Inlet Fitting	
5	229-W-360145		Torch Head		11	229-G-360119	K-047	Needle Valve Stem Assembly (2)	

# Air Products

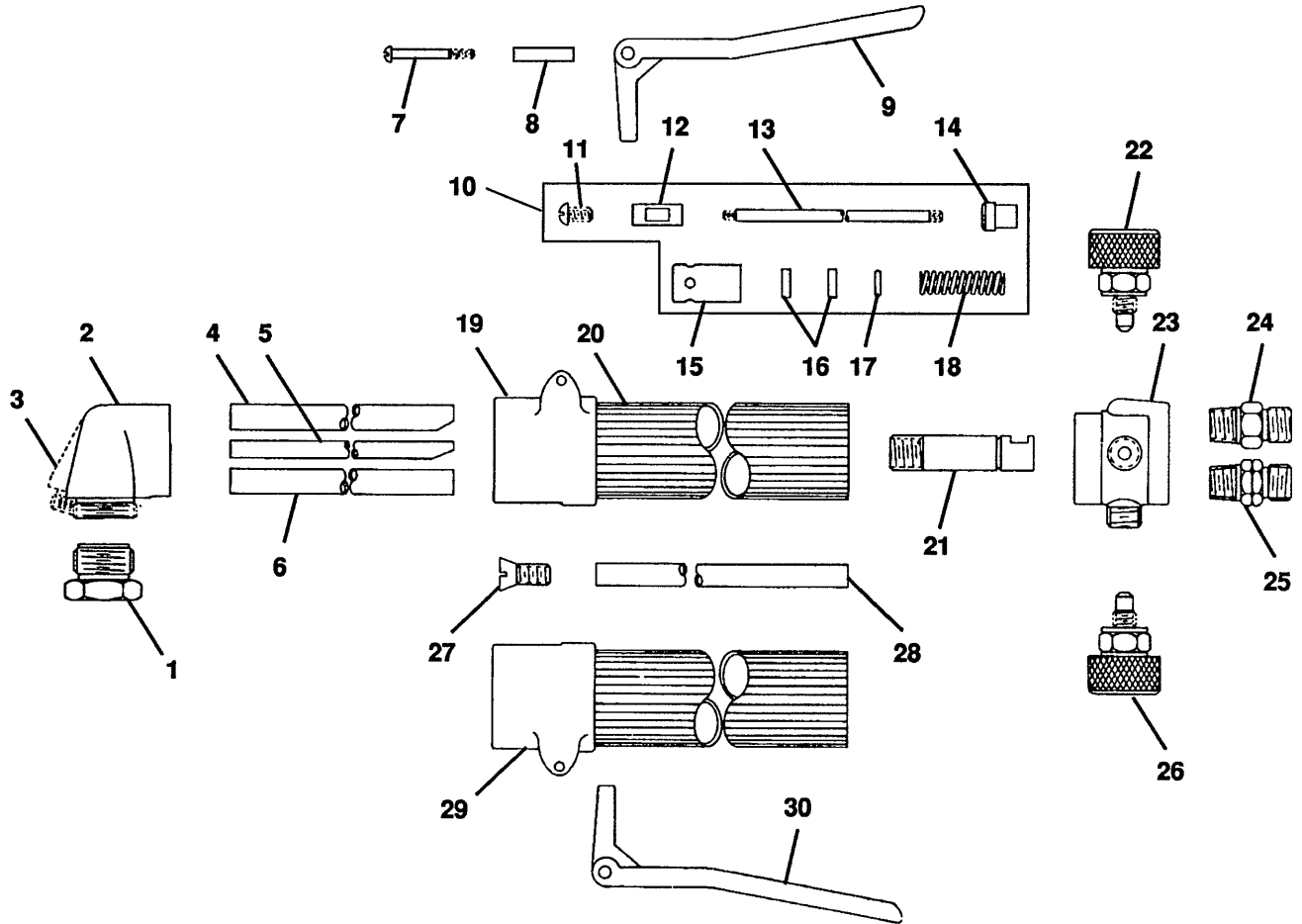
## Style 2200 Medium Duty, Equal Pressure Cutting Torch



REF. NO.	MFG. NO.	S-S NO.	DESCRIPTION	CODE	REF. NO.	MFG. NO.	S-S NO.	DESCRIPTION	CODE
	221-E-2294		Medium Duty, Equal Pressure Torch		9	229-9-360113	K-060	Spring Retainer	
1	229-8-360656	K-066	Tip Nut		10	229-M-360115	K-062	Lever Retaining Pin	
2	229-J-400065	K-067	Torch Head , 90 Deg., Conical Brass		11	229-Y-360114	K-061	Lever	
3	229-7-401445		Tube (2)		12	229-6-360135		Tubes, Oxygen And Fuel Gas (2)	
4	229-W-401446		Tube (2)		13	229-U-360136		Base	
5	229-3-401442		High Pressure Valve Body		14	229-A-401448		Inlet Fitting, Oxygen	
6	229-8-360110	K-057	Valve Stem Assembly		15	229-W-360437		Needle Valve Body	
7	229-T-360111	K-058	O-Ring		16	239-P-320050	K-073	Needle Valve Stem Assembly (2)	
8	229-H-360112	K-059	Valve Spring		17	229-C-409088		Handle Tube	

# Air Products

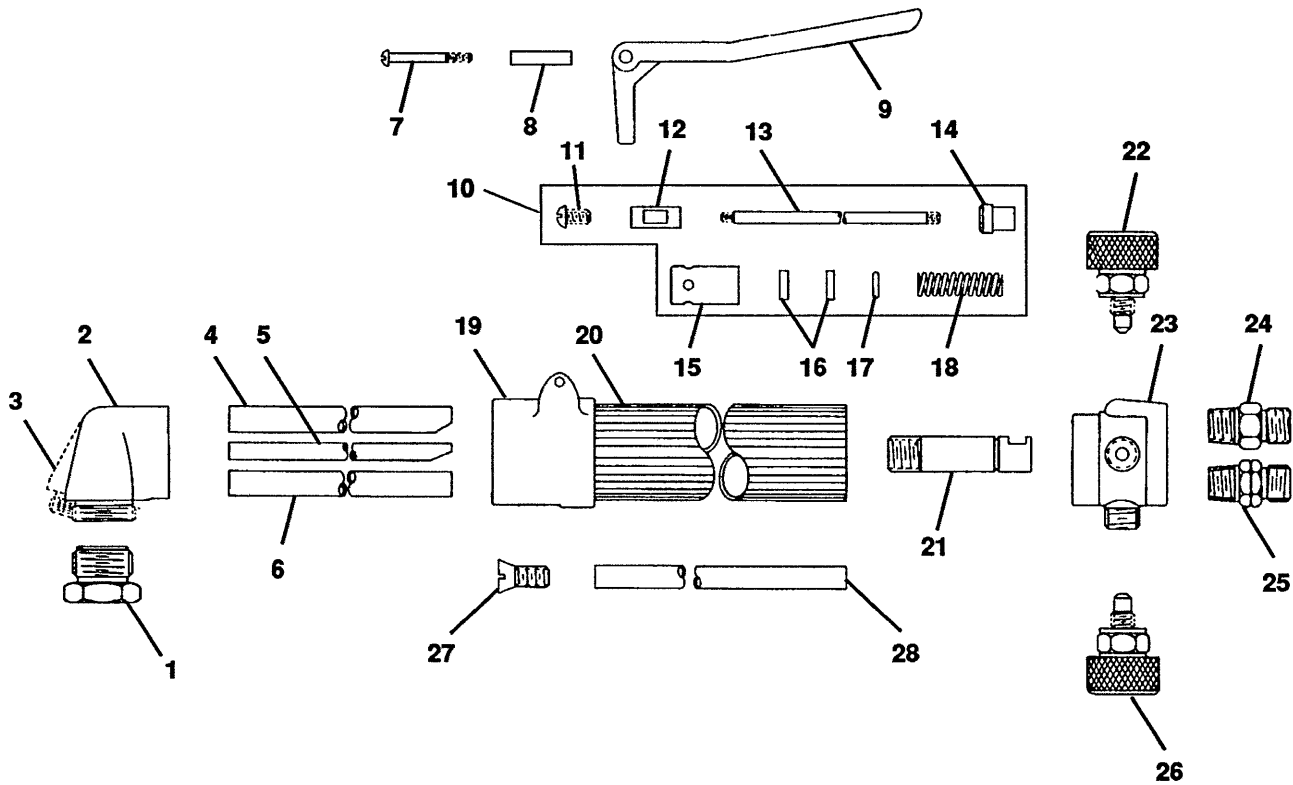
## Style 2300 Heavy Duty Cutting Torch



REF. NO.	MFG. NO.	S-S NO.	DESCRIPTION	CODE	REF. NO.	MFG. NO.	S-S NO.	DESCRIPTION	CODE
	221-A-2370		Heavy Duty Cutting Torch	A	14	229-F-360019	K-005	Seat Assembly	A thru E
	221-B-2371		Heavy Duty Cutting Torch	B	15	229-H-360021		Packing Nut	A thru E
	221-5-2380		Heavy Duty Cutting Torch	C	16	229-9-360022	K-031	Packing (2)	A thru E
	221-X-2390		Heavy Duty Cutting Torch	D	17	229-M-360024	K-032	Packing Washer	A thru E
	221-Y-2391		Heavy Duty Cutting Torch	E	18	229-C-360025	K-033	Spring	A thru E
1	229-8-360656	K-066	Tip Nut	A thru E	19	229-8-360029		Handle Collar (Top Lever)	A, C, D
2,3	229-O-400066	K-115	Torch Head, 75°	A, B	20	229-G-360028		Handle	A thru E
	229-C-409907		Torch Head, 180°	C	21	229-N-360033		H. P. Valve Housing	A thru E
	229-J-400065	K-067	Torch Head, 90°	D, E	22	229-T-360036	K-039	Oxygen Needle Valve Stem Assembly	A thru E
4	229-6-360009		H. P. Oxygen Tube	A thru E	23	229-A-360056	K-040	Torch Base	A thru E
5	229-7-360010		L. P. Oxygen Tube	A thru E	24	239-Q-340028		Oxygen Inlet Nipple	A thru E
6	229-R-360011		Acetylene Tube	A thru E	25	239-W-340070		Acetylene Inlet Nipple	A thru E
7	229-G-360012	K-012	H. P. Lever Screw	A thru E	26	229-B-360659	K-043	Fuel Gas Needle Valve Stem Assembly	A thru E
8	229-8-360013	K-023	H. P. Lever Sleeve	A thru E	27	229-M-360030	K-036	Torsion Rod Screw	A thru E
9	229-X-360014	K-024	H. P. Lever (Top)	A, C, D	28	229-O-360031		Torsion Rod	A thru E
10	229-L-360015		H. P. Valve Stem Assy. (Includes items 11 thru 18)	A thru E	29	229-H-360177		Handle Collar (Bottom Lever)	B, E
11	229-B-360016	K-026	Yoke Adjusting Screw	A thru E	30	229-9-360178		Lever (Bottom)	B, E
12	229-3-360017	K-027	Yoke	A thru E					
13	229-Q-360018	K-028	Valve Stem	A thru E					

# Air Products

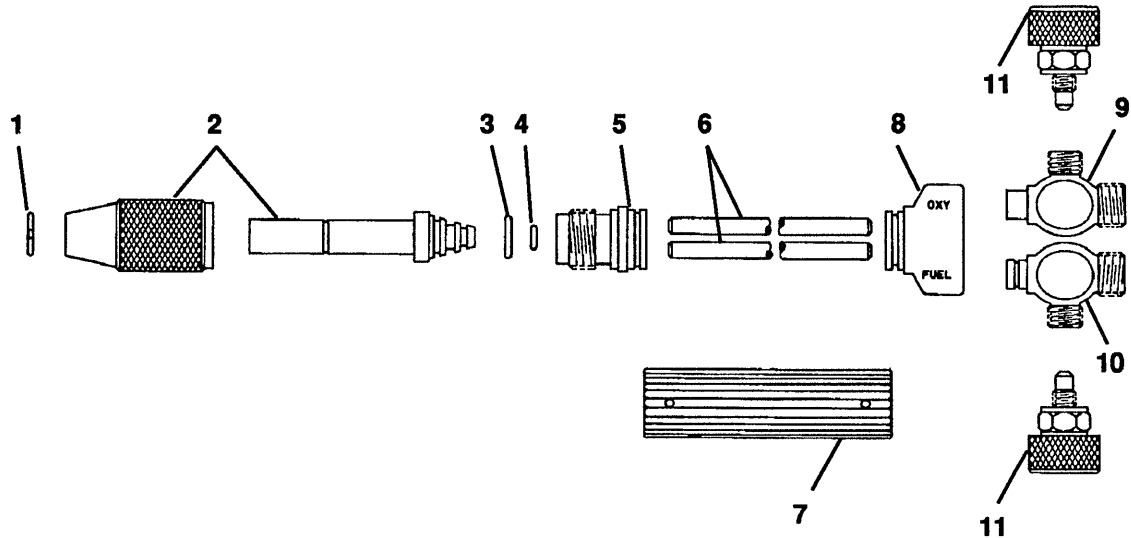
## Style 2400 Heavy Duty Cutting Torch



REF. NO.	MFG. NO.	S-S NO.	DESCRIPTION	CODE	REF. NO.	MFG. NO.	S-S NO.	DESCRIPTION	CODE
	221-Y-2472		Heavy Duty Cutting Torch	A	13	229-Q-360018	K-028	Valve Stem	A, B, C
	221-J-2492		Heavy Duty Cutting Torch	B	14	229-F-360019	K-005	Seat Assembly	A, B, C
	221-5-2494		Heavy Duty Cutting Torch	C	15	229-H-360021		Packing Nut	A, B, C
1	229-8-360656	K-066	Tip Nut	A, B, C	16	229-9-360022	K-031	Packing (2)	A, B, C
2	229-Y-400007	K-075	Torch Head, 90°	A	17	229-M-360024	K-032	Packing Washer	A, B, C
3	229-M-400008		Torch Head, 75°	B, C	18	229-C-360025	K-033	Spring	A, B, C
4	229-6-360009		High Pressure Oxygen Tube A, B		19	229-8-360029		Handle Collar	A, B, C
5	229-A-360391		High Pressure Oxygen Tube C		20	229-G-360028		Handle	A, B, C
	229-7-360010		Low Pressure Oxygen Tube A, B		21	229-N-360033		High Pressure Valve Housing	A, B, C
	229-2-360392		Low Pressure Oxygen Tube C		22	229-T-360036	K-039	Oxygen Needle Valve Stem Assembly	A, B, C
6	229-R-360011		Acetylene Tube A, B		23	229-A-360056	K-040	Torch Base	A, B, C
	229-P-360393		Acetylene Tube C		24	239-Q-340028		Oxygen Inlet Nipple	A, B, C
7	229-G-360012	K-022	High Pressure Lever Screw	A, B, C	25	239-W-340070		Acetylene Inlet Nipple	A, B, C
8	229-8-360013	K-023	High Pressure Lever Sleeve	A, B, C	26	229-B-360659	K-043	Fuel Gas Needle Valve Stem Assembly	A, B, C
9	229-X-360014	K-024	High Pressure Lever	A, B, C	27	229-M-360030	K-036	Torsion Rod Screw	A, B, C
10	229-L-360015		High Pressure Valve Stem Assembly (Includes items 11 thru 18)	A, B, C	28	229-O-360031		Torsion Rod	A, B, C
11	229-B-360016	K-026	Yoke Adjusting Screw	A, B, C					
12	229-3-360017	K-027	Yoke	A, B, C					

# Air Products

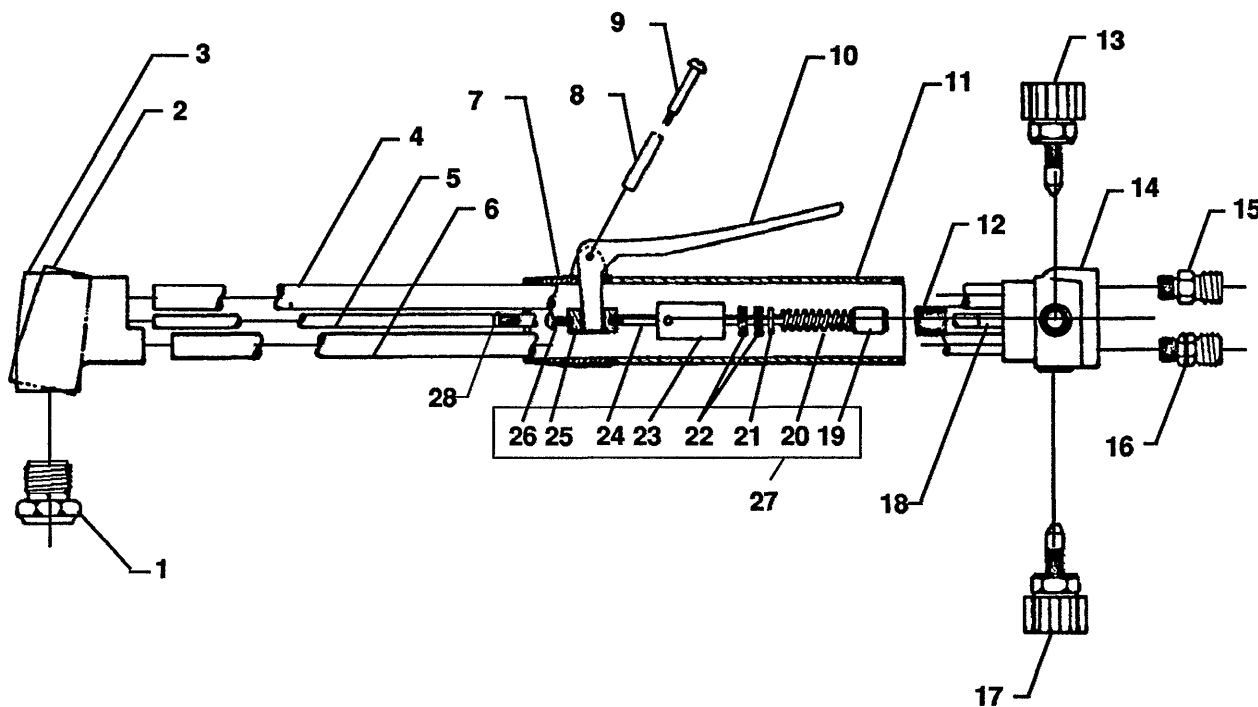
## Style 3000 Heavy Duty Welding Torch



REF. NO.	MFG. NO.	S-S NO.	DESCRIPTION	CODE	REF. NO.	MFG. NO.	S-S NO.	DESCRIPTION	CODE
1	224-3-3820	K-271	Heavy Duty Welding Torch		3	229-Y-380704	K-078	O-Ring, Large	
2	229-5-380008		Mixer Nut, Retaining Ring		4	229-T-360111	K-058	O-Ring, Small	
	224-R-380064		Welding Mixer and Nut Assembly		5	229-M-409087		Torch Head	
	224-8-380066		Acetylene Heating Mixer and Nut Assembly		6	229-6-360135		Oxygen and Acetylene Tube (2)	
	224-X-380067		Natural Gas/Propane Heating Mixer and Nut Assembly		7	229-C-409088		Handle Tube	
	224-W-380091	L.P. Natural Gas/Propane Heating Mixer and Nut Assembly		8	229-U-360136		Rear End		
					9	229-3-360449		Oxygen Needle Valve Body	
					10	229-W-360437		Acetylene Needle Valve Body	
					11	239-P-320050	K-073	Needle Valve Stem Assembly (2)	

# Air Products

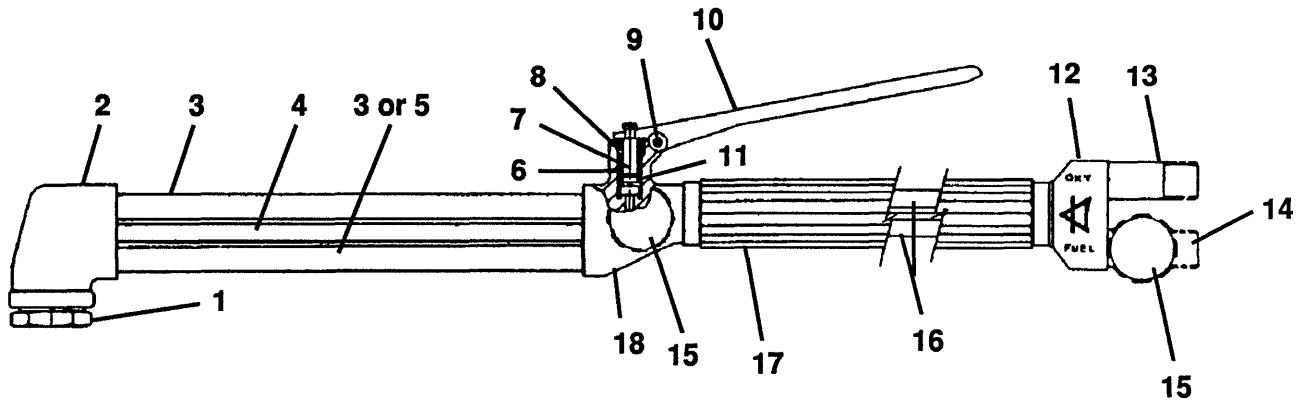
## Style 4100 Low Pressure Heavy Duty Cutting Torch



REF. NO.	MFG. NO.	S-S NO.	DESCRIPTION	CODE	REF. NO.	MFG. NO.	S-S NO.	DESCRIPTION	CODE
	221-C-4170		Low Pressure Heavy Duty C/T	A	15	239-Q-340028		Oxygen Inlet Nipple	A, B
	221-D-4171		Low Pressure Heavy Duty C/T	B	16	239-W-340070		Acetylene Inlet Nipple	A, B
1	229-8-360656	K-066	Tip Nut	A, B	17	229-B-360659	K-043	Fuel Gas Needle Valve Stem Assembly	A, B
2	229-X-360495		Torch Head, 75°	A, B	18	229-0-360031		Torsion Rod	A, B
3	229-G-360444		Torch Head, 90°	A, B	19	229-F-360019	K-005	Seat Assembly	A, B
4	229-6-360009		H. P. Oxygen Tube	A, B	20	229-C-360025	K-033	Spring	A, B
5	229-C-360441		L. P. Fuel Gas Tube	A, B	21	229-M-360024	K-032	Packing Washer	A, B
6	229-7-360010		L. P. Oxygen Tube	A, B	22	229-9-360022	K-031	Packing	A, B
7	229-8-360029		Handle Collar	A	23	229-H-360021		Packing Nut	A, B
	229-H-360177		Handle Collar	B	24	229-Q-360018	K-028	Valve Stem	A, B
8	229-8-360013	K-023	H. P. Lever Sleeve	A, B	25	229-3-360017	K-027	H. P. Valve Stem Yoke	A, B
9	229-G-360012	K-022	H. P. Lever Screw	A, B	26	229-B-360016	K-026	Yoke Adjusting Screw	A, B
10	229-X-360014	K-024	H. P. Lever	A, B	27	229-L-360015		H. P. Valve Stem Assembly (Includes items 19-26)	A, B
11	229-G-360028		Handle	A, B	28	229-M-360030	K-036	Torsion Rod Screw	A, B
12	229-N-360033		H. P. Valve Housing	A, B					
13	229-T-360036	K-039	Oxygen Needle Valve Stem Assembly	A, B					
14	229-U-360461		Torch Base	A, B					

# Air Products

## Style 4200 Medium Duty, Low Pressure Cutting Torch

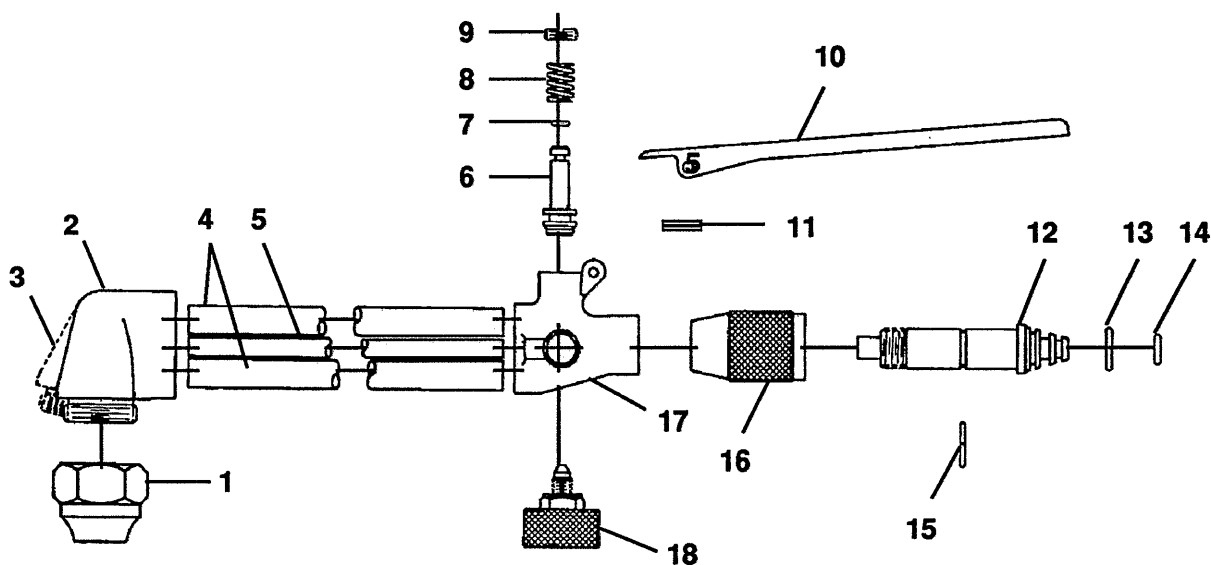


REF. NO.	MFG. NO.	S-S NO.	DESCRIPTION	CODE	REF. NO.	MFG. NO.	S-S NO.	DESCRIPTION	CODE
	221-T-4290		Medium Duty, Low Pressure C/T		10	229-Y-360114	K-061	Lever	
1	229-8-360656	K-066	Tip Nut		11	229-T-360111	K-058	O-Ring	
2	229-G-360444		Torch Head 90 Degree, Conical		12	229-U-360136		Base	
3	229-F-401444		Gas or Oxygen Tube (Oxygen)		13	229-A-401448		Inlet Fitting, Oxygen	
4	229-K-401447		Gas or Oxygen Tube (Gas)		14	229-W-360437		Needle Valve Body	
5	229-Q-401443		Gas or Oxygen Tube (Oxygen)		15	239-P-320050	K-073	Needle Valve Stem Assembly (2)	
6	229-H-360112	K-059	Valve Spring		16	229-6-360135		Tubes, Oxygen & Fuel Gas (2)	
7	229-8-360110	K-057	Valve Stem Assembly		17	229-R-401452		Handle Tube	
8	229-9-360113	K-060	Spring Retainer		18	229-B-401441		H. P. Valve Body	
9	229-M-360115	K-062	Lever Retaining Pin						

# Air Products

## Style 5200 Medium Duty

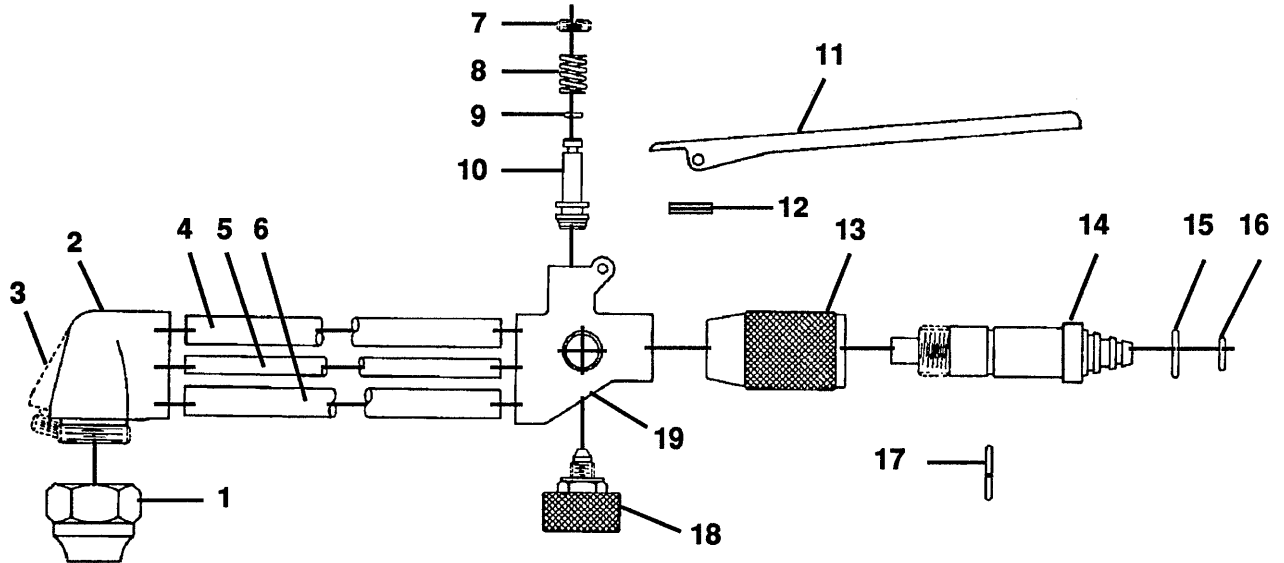
### Threaded Type Cutting Attachment



REF. NO.	MFG. NO.	S-S NO.	DESCRIPTION	CODE	REF. NO.	MFG. NO.	S-S NO.	DESCRIPTION	CODE
	223-H-5227		Medium Duty, Threaded Cutting Attachment	A	15	229-5-380008	K-271	Retaining Ring	A, B
	223-4-5229		Medium Duty, Threaded Cutting Attachment	B	16	229-N-360124	K-094	Connector Nut	A, B
1	229-U-360000	K-007	Tip Nut (Screw Tips)	A, B	17	229-7-360109	K-093	High Pressure Valve Body	A, B
2	229-B-360105	K-089	90 Deg. Head, Threaded	B	18	229-G-360119	K-047	Needle Valve Stem Assembly	A, B
3	229-3-360106		75 Deg. Head, Threaded	A					
4	229-Q-360107		Oxygen and Acetylene Tubes (2)	A, B					
5	229-F-360108		Low Pressure Oxygen Tube	A, B					
6	229-8-360110	K-057	High Pressure Valve Stem Assembly	A, B					
7	229-T-360111	K-058	O-Ring	A, B					
8	229-H-360112	K-059	High Pressure Valve Spring	A, B					
9	229-9-360113	K-060	Spring Retainer	A, B					
10	229-Y-360114	K-061	High Pressure Lever	A, B					
11	229-M-360115	K-062	Lever Retaining Pin	A, B					
12	229-D-360125	K-095	Cone Connector	A, B					
13	229-N-380716	K-056	O-Ring, Large	A, B					
14	229-1-380715	K-055	O-Ring, Small	A, B					

# Air Products

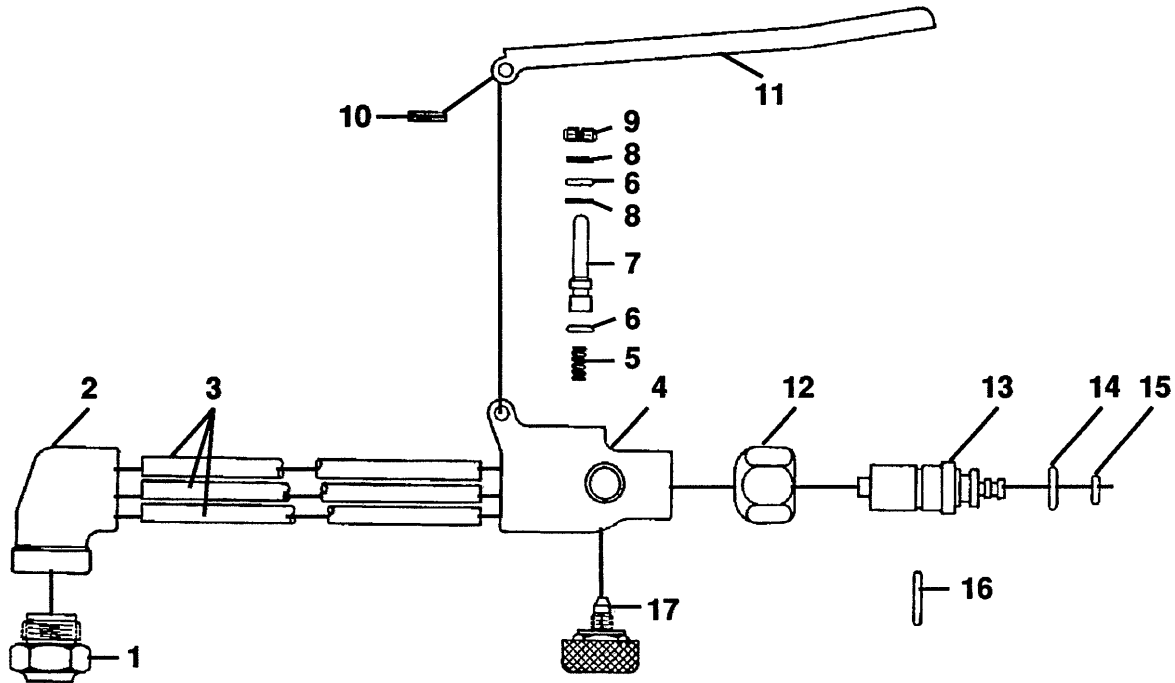
## Style 5300 Heavy Duty Threaded Type Cutting Attachment



REF. NO.	MFG. NO.	S-S NO.	DESCRIPTION	CODE	REF. NO.	MFG. NO.	S-S NO.	DESCRIPTION	CODE
	223-J-5317		Heavy Duty, Threaded Type Cutting Attachment	A	15	229-Y-380704	K-078	O-Ring, Large	A, B
	223-5-5319		Heavy Duty, Threaded Type Cutting Attachment	B	16	229-T-360111	K-058	O-Ring, Small	A, B
1	229-U-360000	K-007	Tip Nut (Screw Tips)	A, B	17	229-K-380063		Retaining Ring	A, B
2	229-T-400004		90 Deg. Head, Threaded	B	18	239-P-320050	K-073	Needle Valve	A, B
3	229-5-400003	K-044	75 Deg. Head, Threaded	A	19	229-F-360490		Stem Assembly	
4	229-4-360491		High Pressure Oxygen Tube	A, B				High Pressure Body	A, B
5	229-F-360108		Preheat Oxygen Tube	A, B					
6	229-4-360491		Fuel Gas Tube	A, B					
7	229-9-360113	K-060	Spring Retainer	A, B					
8	229-H-360112	K-059	High Pressure Valve Spring	A, B					
9	229-T-360111	K-058	O-Ring	A, B					
10	229-8-360110	K-057	High Pressure Valve Stem Assembly	A, B					
11	229-Y-360114	K-061	High Pressure Lever	A, B					
12	229-M-360115	K-062	Lever Retaining Pin	A, B					
13	229-X-380535	K-097	Nut	A, B					
14	229-R-360492		Cone Connector	A, B					

# Air Products

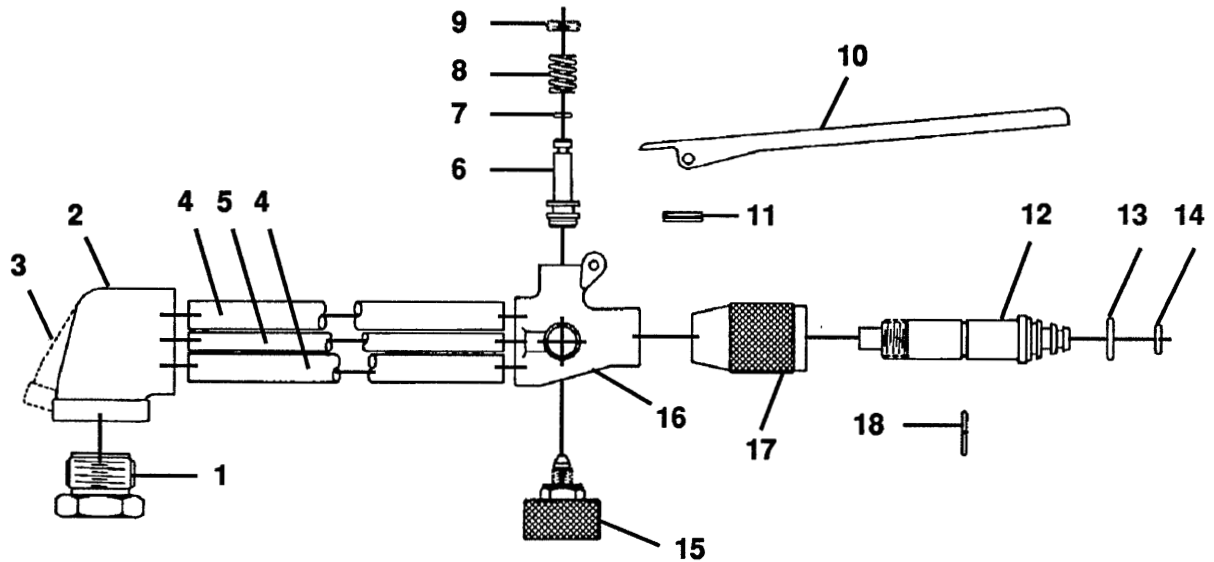
## Style 6100 Light Duty Aircraft Cutting Attachment



REF. NO.	MFG. NO.	S-S NO.	DESCRIPTION	CODE	REF. NO.	MFG. NO.	S-S NO.	DESCRIPTION	CODE
	223-5-6129		Light Duty Aircraft Cutting Attachment		9	229-N-360260		High Pressure Valve Packing Screw	
1	229-U-400070		Tip Nut		10	229-6-360265		Lever Pin	
2	229-D-400069		Head		11	229-E-360264		High Pressure Lever	
3	229-F-400071		Oxygen and Acetylene Tubes (3)		12	229-8-400081	K-111	Connector Nut	
4	229-7-400072		High Pressure Valve Body		13	229-6-400079		Cone Connector	
5	229-A-360261		High Pressure Valve Spring		14	229-T-360111	K-058	O-Ring, Large	
6	229-2-360262		High Pressure Valve O-Ring (2)		15	229-K-400080	K-110	O-Ring, Small	
7	229-W-400073		High Pressure Valve Stem		16	229-X-400082	K-112	Retaining Ring	
8	229-N-360254		High Pressure Valve Packing Washer (2)		17	229-K-400074	K-013	Needle Valve Assembly	

# Air Products

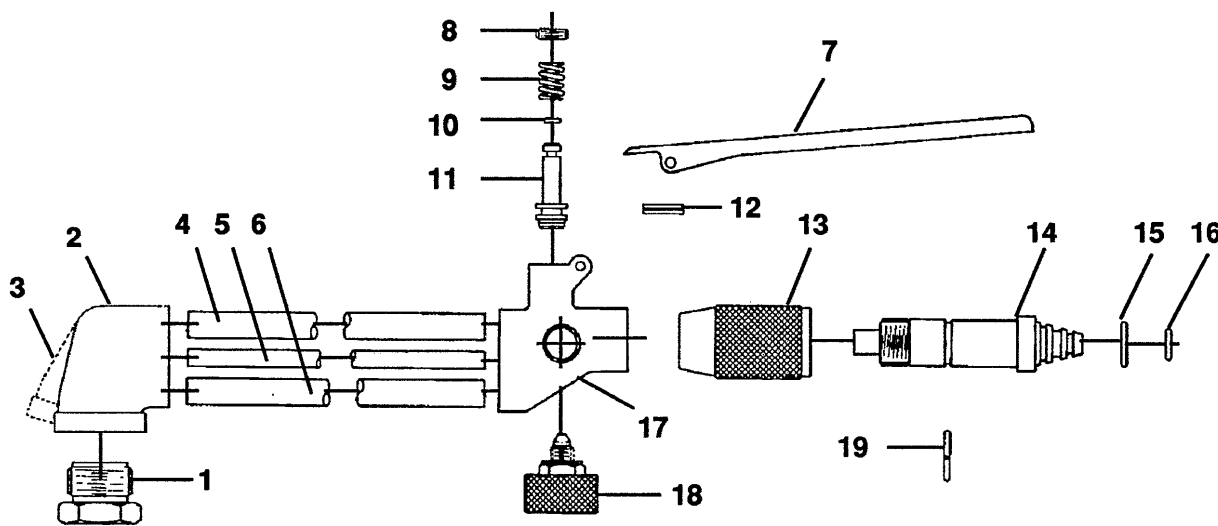
## Style 6200 Medium Duty, Conical Type Cutting Attachment



REF. NO.	MFG. NO.	S-S NO.	DESCRIPTION	CODE	REF. NO.	MFG. NO.	S-S NO.	DESCRIPTION	CODE
	223-D-6227		Medium Duty, Conical Type Cutting Attachment	A	13	229-N-380716	K-056	O-Ring, Large	A, B
	223-Y-6229		Medium Duty, Conical Type Cutting Attachment	B	14	229-1-380715	K-055	O-Ring, Small	A, B
1	229-8-360656	K-066	Tip Nut (Conical Tips)	A, B	15	229-G-360119	K-047	Needle Valve Stem Assembly	A, B
2	229-P-400012	K-114	90 Deg. Torch Head, Conical	B	16	229-7-360109	K-093	High Pressure Body	A, B
3	229-2-400011		75 Deg. Torch Head, Conical	A	17	229-N-360124	K-094	Connector Nut	A, B
4	229-Q-360107		Oxygen and Acetylene Tubes (2)	A, B	18	229-5-380008	K-271	Retaining Ring	A, B
5	229-F-360108		Low Pressure Oxygen Tube	A, B					
6	229-8-360110	K-057	High Pressure Valve Stem Assembly	A, B					
7	229-T-360111	K-058	O-Ring	A, B					
8	229-H-360112	K-059	High Pressure Valve Spring	A, B					
9	229-9-360113	K-060	Spring Retainer	A, B					
10	229-Y-360114	K-061	High Pressure Lever	A, B					
11	229-M-360115	K-062	Lever Retaining Pin	A, B					
12	229-D-360125	K-095	Cone Connector	A, B					

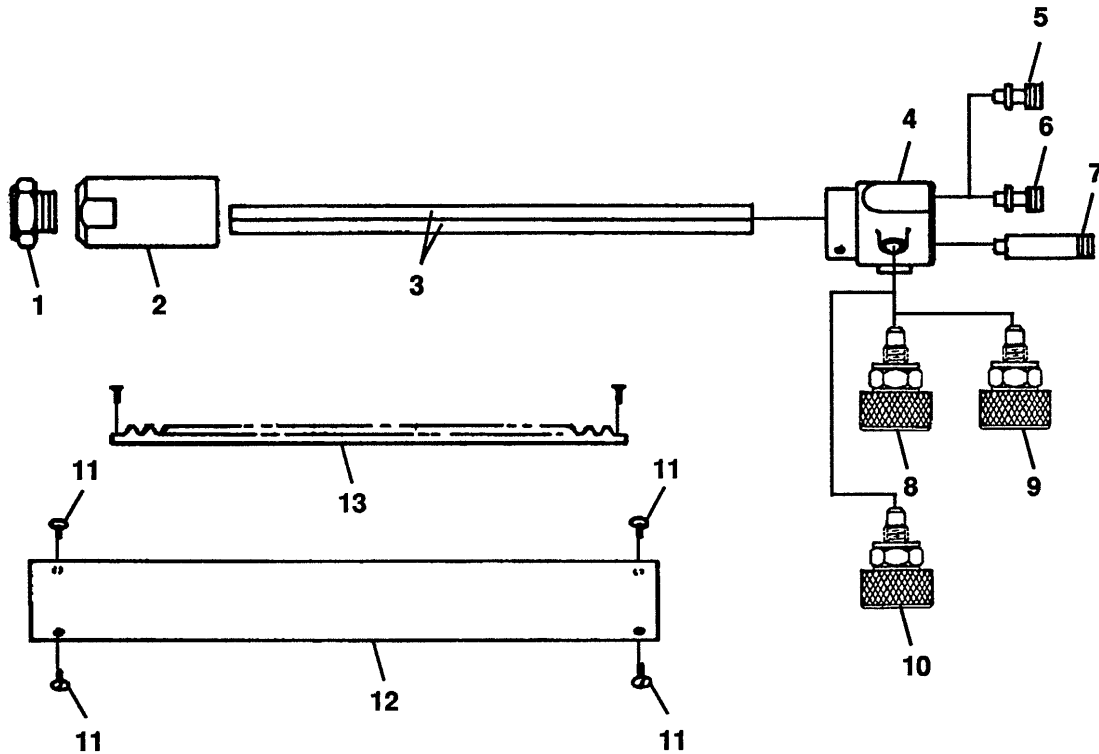
# Air Products

## Style 6300 Heavy Duty, Conical Type Cutting Attachment



REF. NO.	MFG. NO.	S-S NO.	DESCRIPTION	CODE	REF. NO.	MFG. NO.	S-S NO.	DESCRIPTION	CODE
	223-9-6327		Heavy Duty, Conical Type C/A	A	16	229-T-360111	K-058	O-Ring, Small	A, B
	223-R-6329		Heavy Duty, Conical Type C/A	B	17	229-F-360490		High Pressure Body	A, B
1	229-8-360656	K-066	Tip Nut (Conical Tips)	A, B	18	239-P-320050	K-073	Needle Valve	A, B
2	229-J-400065	K-067	90 Deg. Torch Head, Conical	B	19	229-K-380063		Stem Assembly	A, B
3	229-0-400066	K-115	75 Deg. Torch Head, Conical	A				Retaining Ring	A, B
4	229-4-360491		High Pressure Oxygen Tube	A, B					
5	229-F-360108		Preheat Oxygen Tube	A, B					
6	229-4-360491		Fuel Gas Tube	A, B					
7	229-Y-360114	K-061	High Pressure Lever	A, B					
8	229-9-360113	K-060	Spring Retainer	A, B					
9	229-H-360112	K-059	High Pressure Valve Spring	A, B					
10	229-T-360111	K-058	O-Ring, Small	A, B					
11	229-8-360110	K-057	High Pressure Valve Stem Assembly	A, B					
12	229-M-360115	K-062	Lever Retaining Pin	A, B					
13	229-X-380535	K-097	Nut	A, B					
14	229-R-360492		Cone Connector	A, B					
15	229-Y-380704	K-078	O-Ring, Large	A, B					

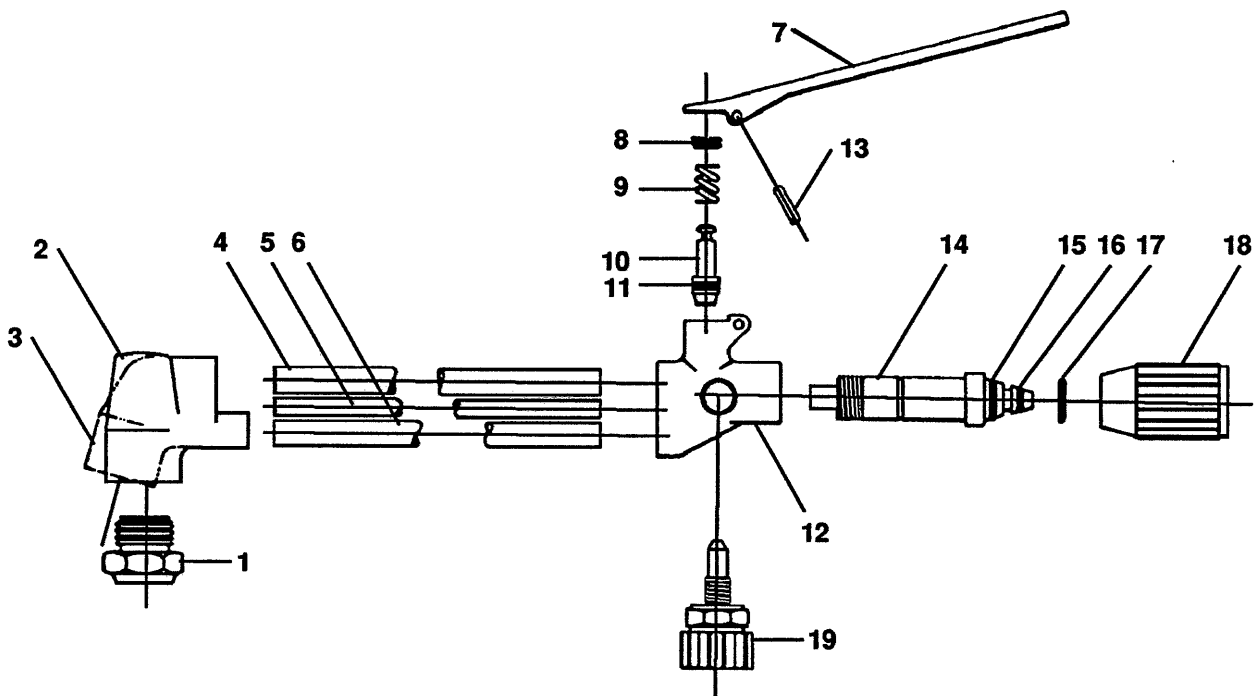
## Air Products Style 6500 Machine Cutting Torch



REF. NO.	MFG. NO.	S-S NO.	DESCRIPTION	CODE	REF. NO.	MFG. NO.	S-S NO.	DESCRIPTION	CODE
			<b>3-HOSE MODELS</b>		229-Y-361234			Rack with Screws	C
	222-H-6510		Machine Cutting Torch	A	229-8-361230			Rack with Screws	E
	222-6-6530		Machine Cutting Torch	B	229-H-361232			Rack with Screws	F
	222-Q-6550		Machine Cutting Torch	C					
	222-1-6518		Machine Cutting Torch	D					
	222-K-6538		Machine Cutting Torch	E					
	222-8-6558		Machine Cutting Torch	F	222-R-6500			<b>2-HOSE MODELS</b>	
1	229-8-360656	K-066	Tip Nut	A thru F	222-B-6520			Machine Cutting Torch	A
2	229-2-361187		Head	A thru F	222-Y-6540			Machine Cutting Torch	B
3	229-Q-361213		Gas Tube (2)	A, B, C	1	229-8-360656	K-066	Tip Nut	A, B, C
	229-F-361214		Gas Tube (2)	D, E, F	2	229-2-361187		Head	A, B, C
4	229-W-361184		Base	A thru F	3	229-Q-361213		Gas Tube	A, B, C
5	229-J-361206		Gas Inlet fitting	A thru F	4	229-7-361183		Base	A, B, C
6	229-U-361205		L.P. Oxygen Inlet Fitting	A thru F	5	229-J-361206		Gas Inlet Fitting	A, B, C
7	229-6-361204		H.P. Oxygen Inlet Fitting	A thru F	6	229-U-361205		Oxygen Inlet Fitting	A, B, C
8	229-D-361200		L.P. Oxygen Needle	A thru F	8	229-D-361200		L.P. Oxygen Needle	A, B, C
			Valve Assembly					Valve Assembly	
9	229-3-361228		Gas Valve Stem Assembly	A thru F	9	229-3-361228		Gas Valve Stem Assembly	A, B, C
10	229-L-361194		H.P. Oxygen Needle	A thru F	10	229-L-361194		H.P. Oxygen Needle	A, B, C
			Valve Assembly					Valve Assembly	
11	229-B-361211		Cover Tube Screws (4)	A thru F	11	229-B-361211		Cover Tube Screws (4)	A, B, C
12	229-N-361209		Cover Tube	A, B, C	12	229-N-361209		Cover Tube	A, B, C
	229-N-361210		Cover Tube	D, E, F	13	229-M-361235		Rack with Screws	B
13	229-M-361235		Rack with Screws	B		229-Y-361234		Rack with Screws	C

# Air Products

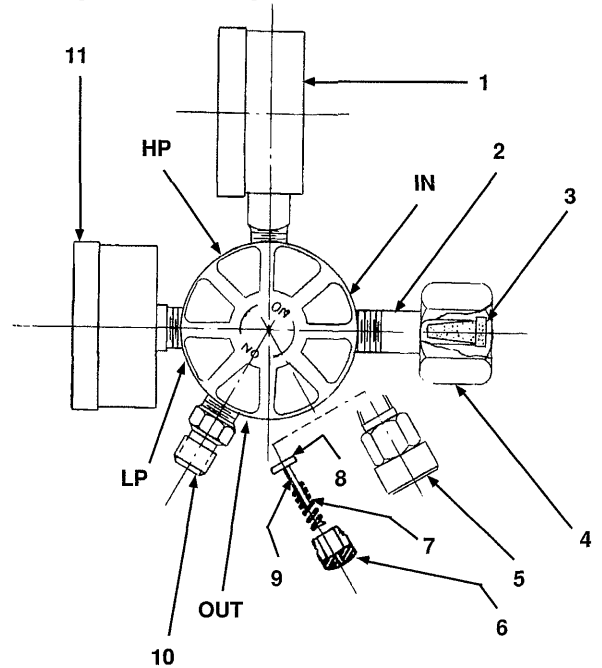
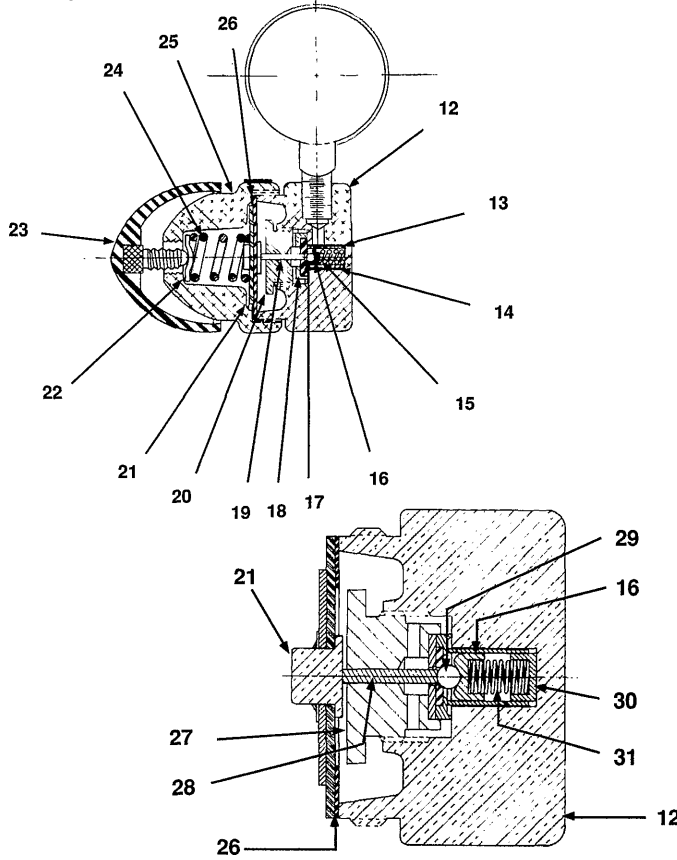
## Style 8300 Low Pressure, Heavy Duty, Conical Type Cutting Attachment



REF. NO.	MFG. NO.	S-S NO.	DESCRIPTION	CODE	REF. NO.	MFG. NO.	S-S NO.	DESCRIPTION	CODE
	223-H-8329		Low Press., Heavy Duty, Conical Type Cutting Attachment	A	13	229-M-360115	K-062	Lever Retaining Pin	A, B
	223-1-8327		Low Press., Heavy Duty, Conical Type Cutting Attachment	B	14	229-R-360492		Cone Connector	A, B
1	229-8-360656	K-066	Tip Nut	A, B	15	229-Y-380704	K-078	O-Ring, Large	A, B
2	229-G-360444		90 Degree Torch Head Assembly	A	16	229-T-360111	K-058	O-Ring, Small	A, B
3	229-X-360495		75 Degree Torch Head Assembly	B	17	229-K-380063		Retaining Ring	A, B
4	229-4-360491		H. P. Oxygen Tube	A, B	18	229-X-380535	K-097	Cone Connector Nut	A, B
5	229-H-360469		Fuel Gas Tube	A, B	19	239-P-320050	K-073	Needle Valve Stem Assembly	A, B
6	229-F-360108		Preheat Oxygen Tube	A, B					
7	229-Y-360114	K-061	H. P. Lever	A, B					
8	229-9-360113	K-060	Spring Retainer	A, B					
9	229-H-360112	K-059	H. P. Valve Spring	A, B					
10	229-8-360110	K-057	H. P. Valve Stem	A, B					
11	229-T-360111	K-058	O-Ring	A, B					
12	229-2-360489		H. P. Valve Body	A, B					

# Air Products

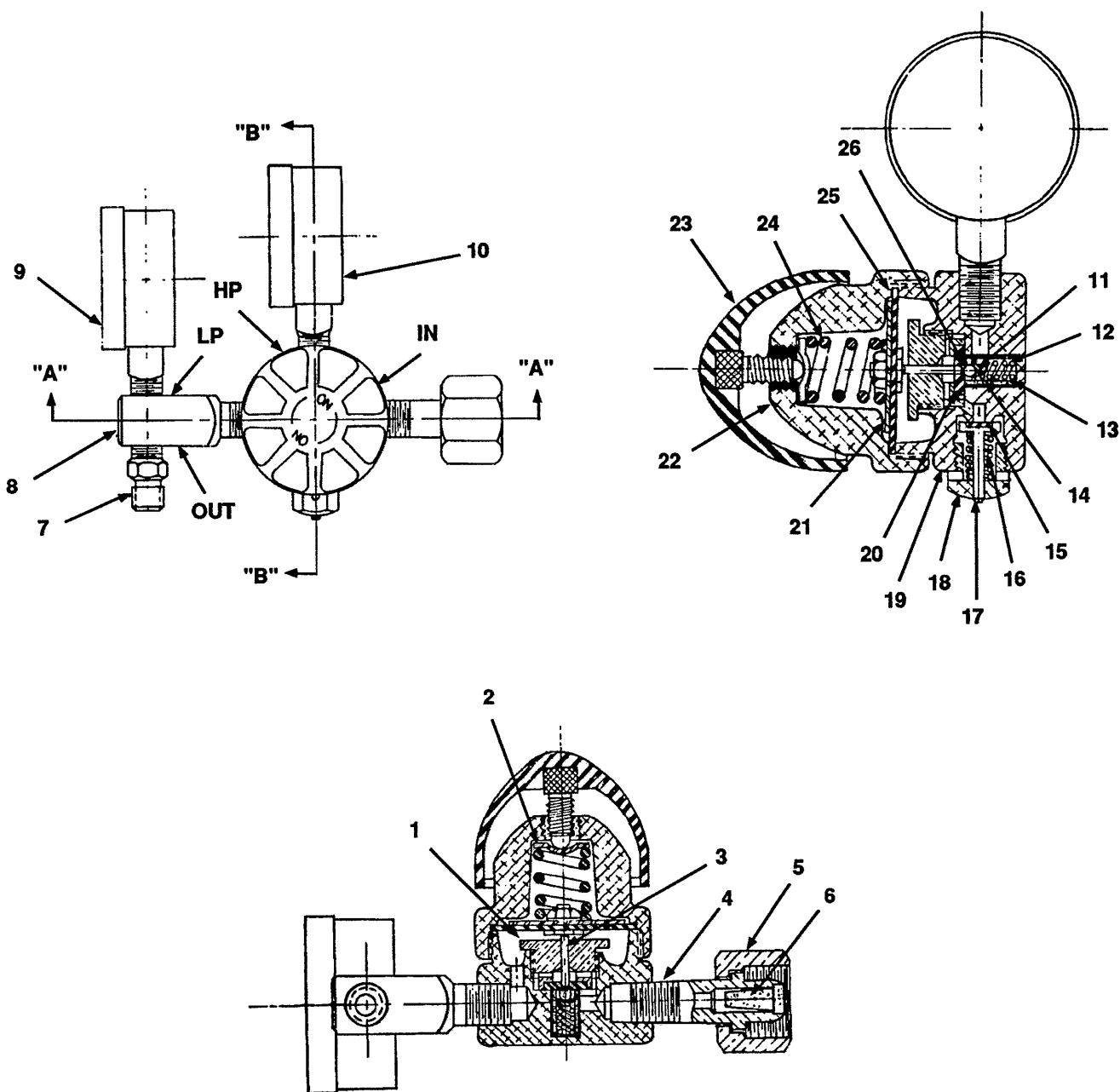
## Style 1100 Medium Duty Single Stage Regulators



REF. NO.	MFG. NO.	S-S NO.	DESCRIPTION	CODE	REF. NO.	MFG. NO.	S-S NO.	DESCRIPTION	CODE
	231-F-110254		Oxygen, Brass, 0-80, with High Flow Safety Relief Valve	A		239-R-401843		L.P. Gauge	E
	231-N-110154		Oxygen, Alum., 0-80, with High Flow Safety Relief Valve	B	12	239-6-410583		Body	A
	231-T-113130		Acetylene, Aluminum, (Brass Color) 0-15	C		239-X-410634	K-173	Body	C, D, E
	231-F-113351		Acetylene, Aluminum, (Brass Color) 0-15	D		239-A-410595		Body	F
	231-5-113951		Propane, Aluminum, (Brass Color) 0-50	E		239-D-341034	K-148	Body, Not Available	B
	231-X-118158		Nitrogen, Aluminum, 0-100 with High Flow Safety Relief Valve	F	13	239-L-341015	K-147	Inlet Filter Seat	C thru F
1	239-A-340520		H.P. Gauge	A, B, F	14	239-D-341040	K-149	Inlet Filter	C thru F
	239-X-340521		H.P. Gauge	C, D, E	15	239-5-411288		Valve Spring	C thru F
2	239-0-340148		Inlet Nipple	A, B	16	239-T-340835	K-142	Spring Button	A, B
	239-N-340140		Inlet Nipple	C	17	239-7-341010	K-146	Spring Button	C thru F
	239-2-409992		Inlet Nipple	D, E, F	18	239-F-340283	K-125	Stainless Steel Ball	C thru F
3	239-Q-340298	K-126	Inlet Filter	A, B	19	239-5-340185		Valve Seat	C, D, E
4	239-1-340149		Inlet Nut	A, B	20	239-6-340843	K-144	Valve Seat	F
	239-A-340141	K-120	Inlet Nut	C	21	239-A-340804	K-138	Valve Pin	C thru F
	239-J-340147		Inlet Nut	D, E	22	239-W-340810	K-140	Seat Retainer	C thru F
	239-3-340151		Inlet Nut	F				Diaphragm Assembly	A, C- F
5	239-G-410486		Safety Valve Assembly	A				Not Available	B
6	239-M-350095	K-150	Safety Cap	F	23	239-H-340096		Spring Button	A, C-E
7	239-T-340186	K-317	Safety Spring	F		239-R-340086	K-115	Spring Button	A, B, F
8	239-4-410484	K-153	Safety Seat	F	24	239-2-340310	K-127	Adjusting Knob	A, B, F
9	239-2-411959	K-331	Safety Stem	F		239-L-340311	K-128	Adjusting Knob	C, D, E
10	239-Q-340028		Outlet Bushing	A, B		239-6-340808		Adjusting Spring	A
	239-W-340070		Outlet Bushing	C, D, E		239-8-340861		Adjusting Spring	B, F
	529-G-390588		Outlet Bushing	F		239-U-340809		Adjusting Spring	C, D
11	239-G-401844	K-162	L.P. Gauge	A, B, F		239-K-340860		Adjusting Spring	E
	239-4-401842	K-160	L.P. Gauge	C, D	25	239-3-410556		Bonnet	A
						239-4-340387		Bonnet	B, F
						239-B-410636		Bonnet	C, D, E
					26	239-L-340814	K-141	Slip Ring	A thru F
					27	239-T-411289	K-325	Seat Assembly	A, B
					28	239-N-411286	K-168	Valve Pin	A, B
					29	239-Y-411568		Valve Ball	A, B
					30	239-E-410582		Filter Assembly	A, B
					31	239-9-410496		Valve Spring	A, B

# Air Products

## Style 1100 Single Stage Regulators



Safety relief valve parts 15, 17 and 18 **must** be ordered together when replacing equivalent parts in **any** regulator produced prior to April, 1973.



**SEAL-SEAT**

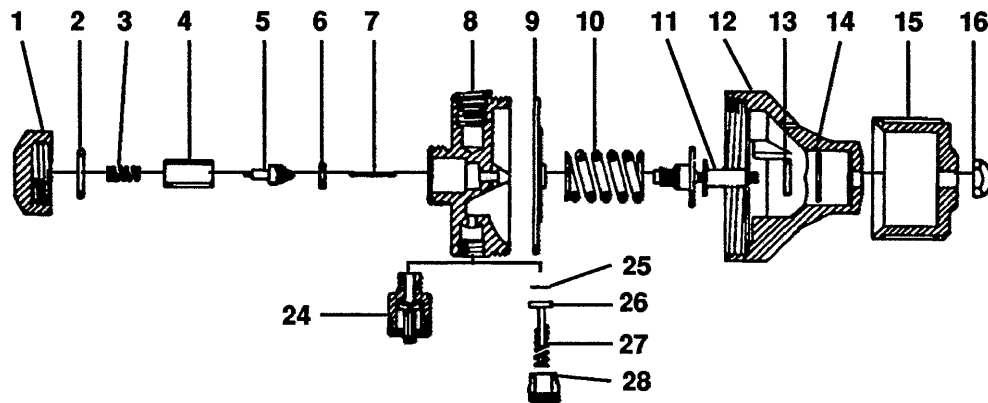
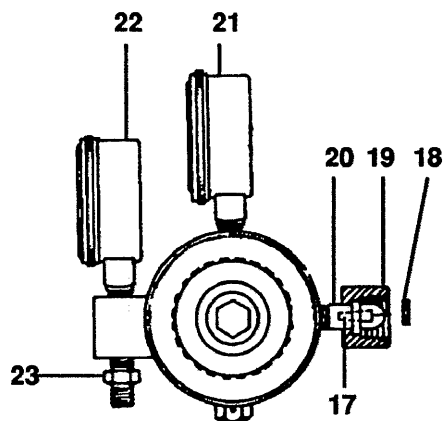
# Air Products

## Style 1100 Single Stage Regulators

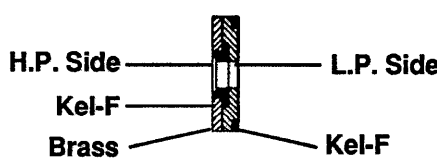
REF. NO.	MFG. NO.	S-S NO.	DESCRIPTION	CODE	REF. NO.	MFG. NO.	S-S NO.	DESCRIPTION	CODE
	231-M-110054		Oxygen, Alum., 0-80 w/ "Tee Mounted" L. P. Gauge	A	8	239-W-340155		Outlet Tee	A thru G
	231-R-113030		Acetylene, Alum., 0-15, w/ "Tee Mounted" L. P. Gauge	B	9	239-7-340527		L.P. Gauge	A, F
	231-X-113151		Acetylene, Alum., 0-15, w/ "Tee Mounted" L.P. Gauge	C		239-W-340528		L.P. Gauge	B thru D
	231-7-113352		Acetylene, Alum., 0-50, w/ "Tee Mounted" L.P. Gauge	D		239-B-340523		L.P. Gauge	E, G
	231-B-117032		CO <sub>2</sub> , Alum., 0-50, w/ "Tee Mounted" L.P. Gauge	E	10	239-A-340520		H.P. Gauge	A, E, F
	231-W-118058		Nitrogen, Alum., 0-100, w/ "Tee Mounted" L.P. Gauge	F		239-X-340521		H.P. Gauge	B-D, G
	231-N-113251		Propane, Alum., 0-50, w/ "Tee Mounted" L.P. Gauge	G	11	239-5-411288		H. P. Spring Button	A
1	239-A-340804	K-138	Seat Retainer	B thru G		239-T-340835	K-142	H. P. Spring Button	B thru G
			Not Available	A	12	239-9-410496		H. P. Spring	A
2	239-R-340086	K-115	Spring Button	A, F		239-D-341040	K-149	H. P. Spring	B thru G
	239-H-340096	K-117	Spring Button	B-E, G	13	239-D-341034	K-148	Inlet Filter Seat	B thru G
3	239-N-411286	K-168	Pin	A	14	239-L-341015	K-147	H.P. Filter	B thru G
	239-6-340843	K-144	Pin	B thru G	15	239-4-410484	K-153	Safety Seat	A, E, F
4	239-0-340148		Inlet Nipple	A	16	239-P-340841	K-143	Safety Spring	A, E, F
	239-N-340140		Inlet Nipple	B	17	239-7-410478	K-152	Safety Valve Stem	A, E, F
	239-2-409992		Inlet Nipple	C, G	18	239-M-350095	K-150	Safety Valve Cap	A, E, F
	239-G-340373		Inlet Nipple	D	19	239-X-340405		Body	B-D, G
	239-2-340142		Inlet Nipple	E		239-R-340402	K-132	Body	E, F
	239-E-340150		Inlet Nipple	F	20	239-T-411289	K-325	Not Available	A
5	239-1-340149		Inlet Nut	A		239-F-340283	K-125	Seat	A
	239-A-340141	K-120	Inlet Nut	B, E		239-5-340185		Seat	B-E, G
	239-J-340147		Inlet Nut	C, G	21	239-W-340810	K-140	Diaphragm Assembly	A thru G
	239-B-340374		Inlet Nut	D	22	239-4-340387		Bonnet	A thru G
	239-3-340151		Inlet Nut	F	23	239-2-340310	K-127	Adjusting Knob	A, E, F
6	239-Q-340298	K-126	Inlet Filter	A		239-L-340311	K-128	Adjusting Knob	B-D, G
	239-Q-340028		Outlet Bushing	A, E, F	24	239-8-340861		Adjusting Spring	A, F
	239-W-340070		Outlet Bushing	B-D, G		239-U-340809		Adjusting Spring	B thru D
						239-K-340860		Adjusting Spring	E, G
					25	239-L-340814	K-141	Slip Ring	A thru G
					26	239-Y-411568	K-167	Stainless Steel Ball	A
						239-7-341010		Stainless Steel Ball	B thru G
						239-P-340143		Washer	E

# Air Products

## Style 1200 Single Stage Regulators



**Four-Piece Seat**



Part 24 is a four-piece seat in all oxygen regulators and a single piece in all other models.

Parts 25, 26 and 28 **must** be ordered together to replace equivalent parts in any aluminum regulator produced before May, 1973.



**SEAL-SEAT**

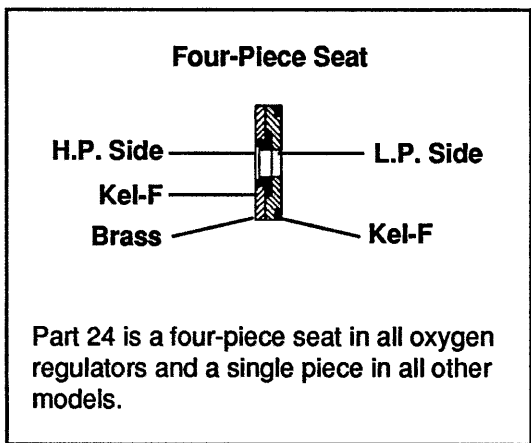
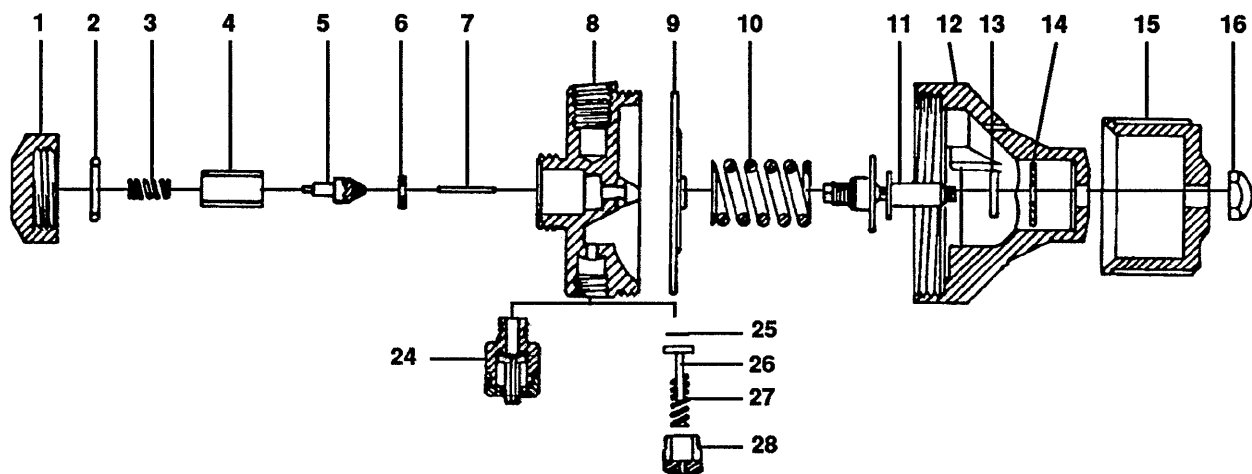
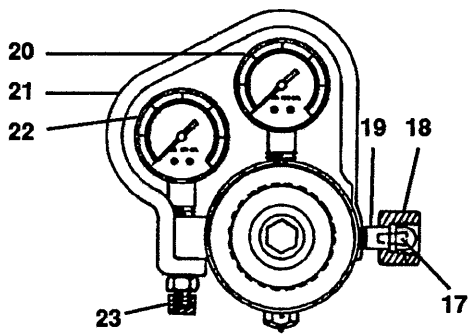
# Air Products

## Style 1200 Single Stage Regulators

REF. NO.	MFG. NO.	S-S NO.	DESCRIPTION	CODE	REF. NO.	MFG. NO.	S-S NO.	DESCRIPTION	CODE
	231-4-120354		Oxygen, Brass, 0-50	A		239-R-340177		Adjusting Spring	J, K
	231-G-120054		Oxygen, Alum., 0-50	B	11	239-9-340172	K-187	Adjusting Screw Assy.	A thru S
	231-U-120454		Oxygen, Brass, 0-100	C	12	239-U-410584		Bonnet	A, C, E
	231-H-120154		Oxygen, Alum., 0-100	D		239-D-340506		Bonnet	B, D, F,
	231-L-120554		Oxygen, Brass, 0-175	E					G-I, M-S
	231-A-120254		Oxygen, Alum., 0-175	F		239-C-410726		Bonnet	J, K, L
	231-4-121058		Argon, Alum., 0-100	G	13	239-M-340174	K-189	Bearing	A thru S
	231-N-122258		Helium, Alum., 0-100	H	14	239-Y-340173	K-188	Bearing Plate	A thru S
	231-X-122158		Helium, Alum., 0-100	I	15	239-H-340509		Adjusting Knob	A-I, O-S
	231-L-123030		Acetylene, Alum., (Brass Color), 0-15	J		239-J-340510	K-207	Adjusting Knob	J thru N
	231-Q-123151		Acetylene, Alum., (Brass Color), 0-15	K	16	239-1-410538	K-217	Cap Nut	A thru S
	231-H-123251		Propane, Alum., (Brass Color), 0-50	L	17	239-Q-340298	K-126	Inlet Filter	A thru F
	231-G-126035		Hydrogen, Alum., 0-50	M	18	239-P-340143		Inlet Nipple Washer	O
	231-2-126155		Hydrogen, Alum., 0-100	N	19	239-1-340149		Inlet Nut	A thru F
	231-7-127032		Co <sub>2</sub> , Alum., 0-50	O		239-3-340151		Inlet Nut	G, H, I, P,
	231-P-128058		Nitrogen, Alum., 0-100	P		239-6-340145		Inlet Nut	Q
	231-Q-128158		Nitrogen, Alum., 0-175	Q		239-H-340138		Inlet Nut	M
	231-9-128259		Nitrogen, Alum., 0-100	R		239-9-340139		Inlet Nut	N, S
	231-7-128355		Nitrogen, Alum., 0-100	S		239-A-340141	K-120	Inlet Nut	R
1	239-L-410359	K-213	Back Cap	A, C, E	20	239-J-340147		Inlet Nut	J, O
	239-T-340508	K-205	Back Cap	B, D, F-I, M-S		239-O-340148		Inlet Nipple	K, L
	239-Y-410730		Back Cap	J, K, L		239-2-409992		Inlet Nipple	A thru F
2	239-X-410358	K-212	Back Cap Seal	A, C, E,		239-E-340144		Inlet Nipple	G-I, K, L,
	239-E-341008	K-209	Back Cap Seal	B, D, F-S		239-2-340142		Inlet Nipple	P-R
3	239-M-401805	K-210	Valve Stem Spring	A, C, E		239-N-340140		Inlet Nipple	M, N, S
	239-T-340186	K-317	Valve Stem Spring	B, D, F-S	21	239-8-340250		Inlet Nipple	O
4	239-1-340042	K-178	Filter	A thru F		239-T-340251		H. P. Gauge	J
	239-H-340187	K-323	Filter	G thru S	22	239-9-340253		H. P. Gauge	A-I, M-S
5	239-N-340043	K-179	Valve Stem	A thru F		239-3-340252	K-197	L. P. Gauge	J, K, L
	239-D-340184		Valve Stem	G-I, M, N, P-S		239-H-340252		L. P. Gauge	A, B, O
	239-K-341004		Valve Stem	O		239-T-340251		L. P. Gauge	C, D, G,
	239-9-340202	K-194	Valve Stem	J, K, L		239-4-340257		L. P. Gauge	I, P, R, S
6	239-8-410487	K-163	Seat Assembly	A thru F		239-8-340257		L. P. Gauge	E, F, Q
	239-5-340185		Seat Assembly	G-I, M, N, P-S	23	239-R-340258		L. P. Gauge	H, L-N
	239-A-341005	K-292	Seat Assembly	O		239-Q-340028		L. P. Gauge	J, K
	239-7-340284	K-202	Seat Assembly	J, K, L		529-G-390588		Outlet Bushing	A thru F
7	239-F-410477	K-214	Valve Pin	A thru F		239-W-340070		Outlet Bushing	G, H, I, O-Q
	239-N-340183		Valve Pin	G thru S	24	239-G-410486		Safety Valve Assembly	J thru N,
8	239-R-410355		Body	A, C, E		239-Y-410497	K-215	Safety Valve Assembly	R, S
			Not Available	B, D, F		239-M-410498		Safety Valve Assembly	A
	239-0-340503		Body	G-I, M-S	25	239-4-410484	K-153	Safety Valve Assembly	C
	239-9-410723		Body	J, K, L		239-7-410478	K-152	Safety Valve Stem	E
9	239-8-340179	K-193	Diaphragm Assembly	A thru S	26	239-2-411959	K-331	Safety Valve Stem	B, D, F-I, M-S
10	239-C-340175		Adjusting Spring	A, B, H, L-O	27	239-T-340186	K-317	Safety Valve Spring	B, D, F, S
	239-J-340212		Adjusting Spring	C, D, G, I, P, R, S		239-X-340164		Safety Valve Spring	M-P, R, S
	239-4-340176		Adjusting Spring	E, F, Q	28	239-M-350095	K-150	Safety Valve Cap	F, Q

# Air Products

## Style 1400 Single Stage, "On Guard" Regulators



Parts 25, 26 and 28 must be ordered together to replace equivalent parts in any aluminum regulator produced before May, 1973.



**SEAL-SEAT**

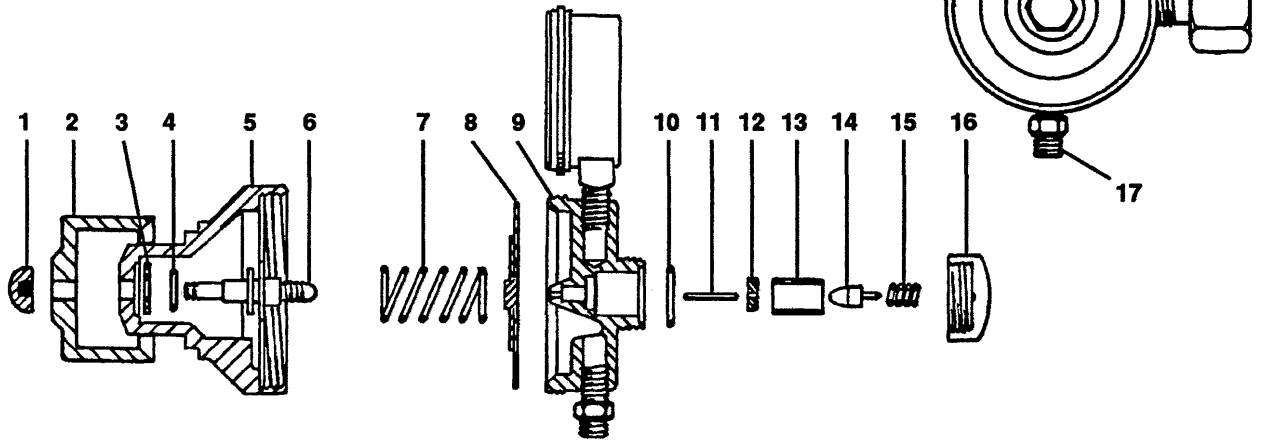
# Air Products

## Style 1400 Single Stage, "On Guard" Regulators

REF. NO.	MFG. NO.	S-S NO.	DESCRIPTION	CODE	REF. NO.	MFG. NO.	S-S NO.	DESCRIPTION	CODE
	231-H-140454		Oxygen, Brass, 0-100	A	12	239-U-410584		Bonnet	A, C
	231-7-140054		Oxygen, Alum., 0-100	B		239-D-340506		Bonnet	B, D, H, I
	231-A-140554		Oxygen, Brass, 0-175	C		239-C-410726		Bonnet	E, F, G
	231-8-140154		Oxygen, Alum., 0-175	D	13	239-M-340174	K-189	Bearing	A, thru I
	231-A-143030		Acety., Comm. Alum., (Brass Color)	E	14	239-Y-340173	K-188	Bearing Plate	A, thru I
	231-E-143151		Acety. POL, Alum., (Brass Color)	F	15	239-H-340509		Adjusting Knob	A-D, I
	231-8-143251		Propane, Alum., (Brass Color), 0-50	G		239-J-340510	K-207	Adjusting Knob	E thru H
	231-7-146035		Hydrogen, Alum., 0-50	H	16	239-1-410538	K-217	Cap Nut	A thru I
	231-D-148058		Nitrogen, Alum., 0-100	I	17	239-Q-340298	K-126	Inlet Filter	A thru D
1	239-L-410359	K-213	Back Cap	A, C	18	239-1-340149		Inlet Nut	A thru D
	239-T-340508	K-205	Back Cap	B, D, H, I		239-A-340141	K-120	Inlet Nut	E
	239-Y-410730		Back Cap	E, F, G		239-J-340147		Inlet Nut	F, G
2	239-X-410358	K-212	Back Cap Seal	A, C		239-6-340145		Inlet Nut	H
	239-E-341008	K-209	Back Cap Seal	B, D-I		239-3-340151		Inlet Nut	I
3	239-M-401805	K-210	Valve Stem Spring	A, C	19	239-R-340540		Inlet Nipple	A thru D
	239-T-340186	K-317	Valve Stem Spring	B, D-I		239-D-340541		Inlet Nipple	E
4	239-1-340042	K-178	Filter	A thru D		239-P-409993		Inlet Nipple	F, G, I
	239-H-340187	K-323	Filter	E thru I		239-E-340144		Inlet Nipple	H
5	239-N-340043	K-179	Valve Stem	A-D, H, I	20	239-A-340520		H. P. Gauge	A-D, H, I
	239-9-340202	K-194	Valve Stem	E thru G		239-X-340521		H. P. Gauge	E, F, G
6	239-8-410487	K-163	Seat Assembly	A, thru D	21	239-U-340552		Gauge Guard	A thru I
	239-7-340284	K-202	Seat Assembly	E, F, G	22	239-L-340522		L. P. Gauge	A, B, I
	239-5-340185		Seat Assembly	H, I		239-X-340521		L. P. Gauge	C, D
7	239-F-410477	K-214	Valve Pin	A thru I		239-W-340528		L. P. Gauge	E, F
8	239-R-410355		Body	A, C		239-7-340527		L. P. Gauge	G, H
	239-9-410723		Body	E, F, G	23	239-5-411775		Outlet Bushing	A, C
	239-0-340503		Body	H, I		239-Q-340028		Outlet Bushing	B, D, I
			Not Available	B, D		239-T-411776		Outlet Bushing	E, F, G
9	239-8-340179	K-193	Diaphragm Assembly	A thru I		239-W-340070		Outlet Bushing	H
10	239-J-340212		Adjusting Spring	A, B, I	24	239-Y-410497	K-215	Safety Valve Assembly	A
	239-4-340176		Adjusting Spring	C, D		239-M-410498		Safety Valve Assembly	C
	239-R-340177		Adjusting Spring	E, F	25	239-4-410484	K-153	Safety Stem Seat	B, D, H, I
	239-C-340175		Adjusting Spring	G, H	26	239-7-410478	K-152	Safety Valve Stem	B, D, H, I
11	239-9-340172	K-187	Adjusting Screw Assembly	A thru I	27	239-T-340186	K-317	Safety Valve Spring	B, H, I
						239-X-340164		Safety Valve Spring	D
					28	239-M-350095	K-150	Safety Valve Cap	B, D, H, I

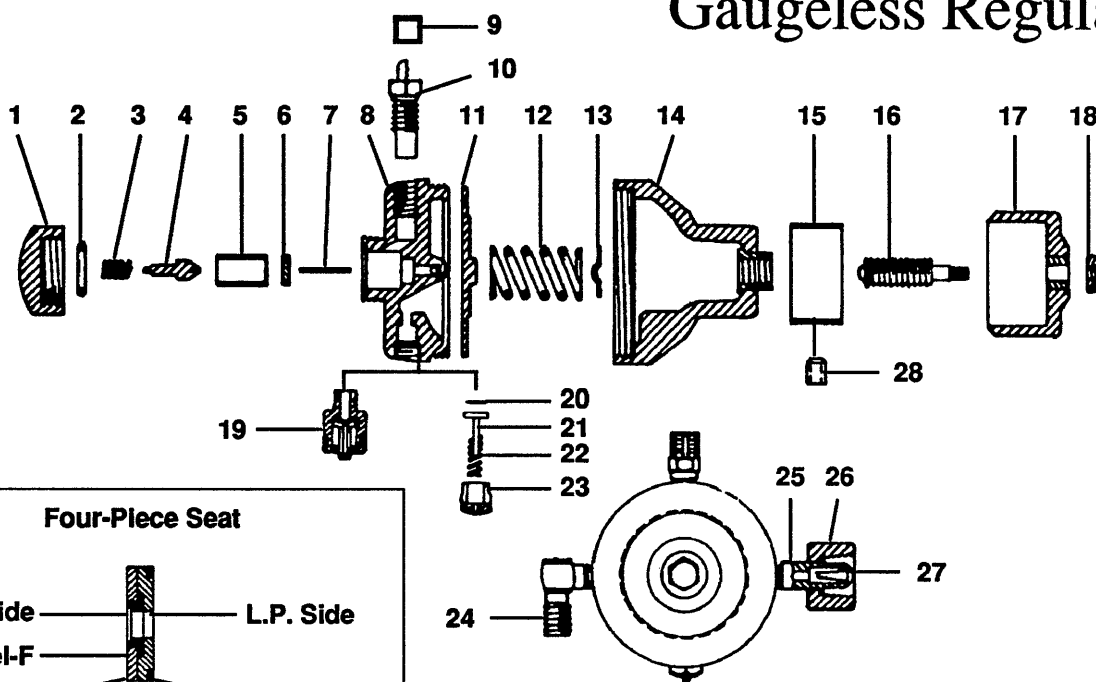
## Air Products

### Style 1500 Single Stage, Line Station Regulators



REF. NO.	MFG. NO.	S-S NO.	DESCRIPTION	CODE	REF. NO.	MFG. NO.	S-S NO.	DESCRIPTION	CODE
	231-8-159054		Oxygen, Brass, 0-50	A	9	239-D-410530		Body	A, C, E, G, I
	231-2-150054		Oxygen, Alum., 0-50	B				Not Available	B, D, F, H, J
	231-9-159154		Oxygen, Brass, 0-100	C		239-Y-410724		Body	K thru N
	231-3-150154		Oxygen, Alum., 0-100	D		239-K-340513		Body	O
	231-2-159254		Oxygen, Brass, 0-175	E	10	239-E-341008	K-209	Back Cap Seal	A thru O
	231-T-150254		Oxygen, Alum., 0-175	F	11	239-N-340183		Valve Stem Pin	A thru O
	231-5-159378		Oxygen, Brass, 0-100	G	12	239-7-340284	K-202	Seat Assembly	A thru O
	231-X-150378		Oxygen, Alum., 0-100	H	13	239-A-340157		Seat Retainer	A thru O
	231-W-159478		Oxygen, Brass, 0-175	I	14	239-9-340202	K-194	Valve Stem	A thru O
	231-N-150478		Oxygen, Alum., 0-175	J	15	239-T-340186	K-317	Valve Stem Spring	A thru O
	231-6-153030		Acetylene, Alum., (Brass Color) 0-15	K	16	239-P-350104		Back Cap	A, C, E, G, I
	231-G-153278		Acetylene, Alum., (Brass Color) 0-15	L		239-T-340508	K-205	Back Cap	B, D, F, H, J, O
	231-0-153151		Propane, Alum., (Brass Color), 0-50	M		239-Y-410730		Back Cap	K thru N
	231-0-153378		Propane, Alum., (Brass Color), 0-50	N	17	239-Q-340028		Outlet Bushing	A thru J
	231-9-158058		Nitrogen, Alum., 0-100	O		239-W-340070		Outlet Bushing	K thru N
1	239-1-410538	K-217	Cap Nut	A thru O		529-G-390588		Outlet Bushing	O
2	239-H-340509		Adjusting Knob	A-J, O	18	239-1-340149		Inlet Nut	A thru F
	239-J-340510	K-207	Adjusting Knob	K thru N		239-T-340121		Inlet Nut	G thru J
3	239-Y-340173	K-188	Bearing Plate	A thru O		239-A-340141	K-120	Inlet Nut	K
4	239-M-340174	K-189	Bearing	A thru O		239-H-340122		Inlet Nut	L, N
5	239-U-410584		Bonnet	A, C, E, G, I		239-J-340147		Inlet Nut	M
	239-D-340506		Bonnet	B, D, F, H, J, O	19	239-3-340151		Inlet Nut	O
	239-C-410726		Bonnet	K thru N		239-P-411782		Inlet Nipple with Filter	A thru F
6	239-9-340172	K-187	Adjusting Screw Assembly	A thru O		239-E-411783		Inlet Nipple with Filter	G thru J
7	239-C-340175		Adjusting Spring	A, B, M, N		239-N-340140		Inlet Nipple with Filter	K
	239-J-340212		Adjusting Spring	C, D, G, H, O		239-9-340123		Inlet Nipple with Filter	L, N
	239-4-340176		Adjusting Spring	E, F, I, J	20	239-2-409992		Inlet Nipple with Filter	M, O
	239-R-340177		Adjusting Spring	K, L		239-9-340253		L. P. Gauge	A, B
8	239-8-340179	K-193	Diaphragm Assembly	A thru O		239-H-340252	K-197	L. P. Gauge	C, D, G, H, O
						239-T-340251		L. P. Gauge	E, F, I, J
						239-R-340258		L. P. Gauge	K, L
						239-4-340257		L. P. Gauge	M, N

## Air Products Style 1700 Single Stage, Gaugeless Regulators



**Four-Piece Seat**

H.P. Side — L.P. Side  
Kel-F — Kel-F  
Brass — Brass

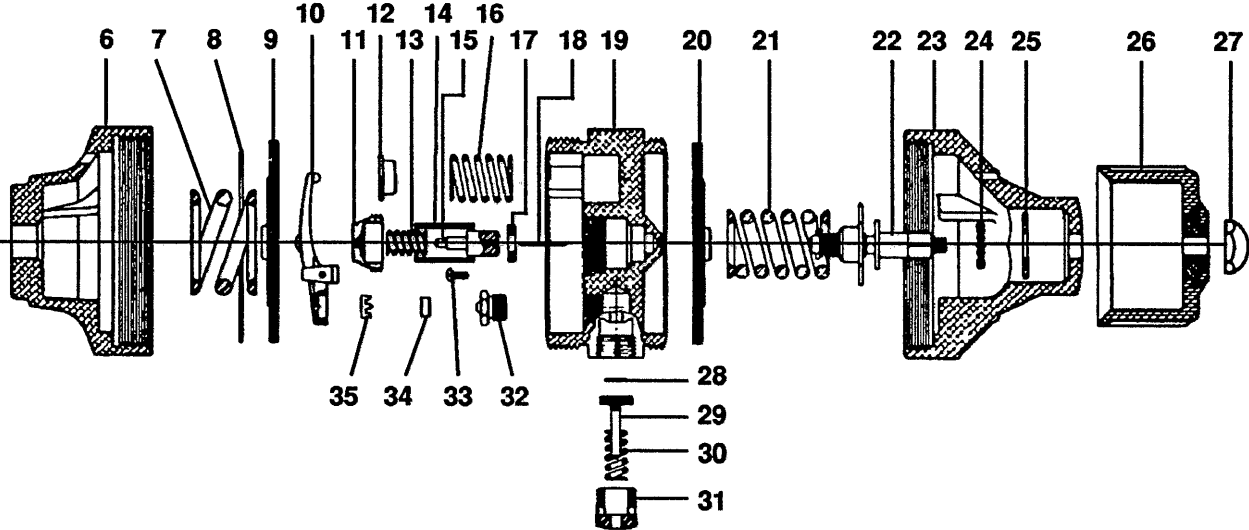
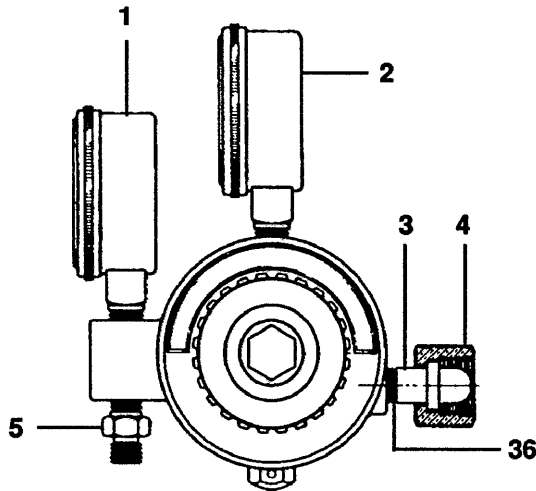
Part 15 is a four-piece seat in all oxygen regulators and a single piece in all other models.

Parts 20, 21 and 23 must be ordered together to replace equivalent parts in any aluminum regulator produced before May, 1973.

REF. NO.	MFG. NO.	S-S NO.	DESCRIPTION	CODE	REF. NO.	MFG. NO.	S-S NO.	DESCRIPTION	CODE
	231-P-170154		Oxygen, Brass, 0-100	A	12	239-J-340212		Adjusting Spring	A, B
	231-N-170054		Oxygen, Alum., 0-100	B		239-R-340177		Adjusting Spring	C, D
	231-T-173030		Acetylene, Alum., (Brass Color)	C	13	239-R-340086		Spring Button	A thru D
	231-Y-173151		Acetylene, Alum., (Brass Color)	D	14	239-N-410588	K-247	Bonnet	A
						239-G-410729		Not Available	B
1	239-L-410359	K-213	Back Cap	A	15	239-L-410489		Bonnet	C, D
	239-T-340508	K-205	Back Cap	B		239-R-410728		Indicating Sleeve	A
	239-Y-410730		Back Cap	C, D		239-W-340431	K-238	Not Available	B
2	239-X-410358	K-212	Back Cap Seal	A		239-H-340674		Indicating Sleeve	C, D
	239-E-341008	K-209	Back Cap Seal	B, C, D	16	239-U-340438	K-241	Adjusting Screw	A thru D
3	239-M-401805	K-210	Valve Stem Spring	A	17	239-7-410478		Adjusting Knob	A, B
	239-T-340186	K-317	Valve Stem Spring	B, C, D	18	239-1-410538	K-217	Adjusting Knob	C, D
4	239-N-340043	K-179	Valve Stem	A, B	19	239-Y-410497	K-215	Cap Nut	A thru D
	239-9-340202	K-194	Valve Stem	C, D	20	239-4-410484	K-153	Safety Valve Assembly	A
5	239-1-340042	K-178	Filter	A, B	21	239-7-410478	K-152	Safety Stem Seat	B
	239-H-340187	K-323	Filter	C, D	22	239-T-340186	K-317	Safety Valve Stem	B
6	239-8-410487	K-163	Seat Assembly	A, B	23	239-M-350095	K-150	Safety Valve Spring	B
	239-7-340284	K-202	Seat Assembly	C, D	24	239-B-340247		Safety Valve Cap	B
7	239-F-410477	K-214	Valve Pin	A, B	25	239-3-340248	K-235	Outlet Elbow Assembly	A, B
	239-N-340183		Valve Pin	C, D		239-0-340148		Outlet Elbow Assembly	C, D
8	239-8-410357		Body	A	26	239-1-340149		Inlet Nipple	A, B
	239-N-340426		Body	B		239-N-340140		Inlet Nipple	C
	239-M-410725		Body	C, D		239-2-409992		Inlet Nipple	D
9	239-5-340412		Back Cap	A thru D		239-1-340141	K-120	Inlet Nut	A, B
10	239-A-340433	K-240	Gauge Assembly	A, B		239-A-340141		Inlet Nut	C
	239-2-340440	K-242	Gauge Assembly	C, D		239-J-340147		Inlet Nut	D
11	239-8-340179	K-193	Diaphragm Assembly	A thru D	27	239-Q-340298	K-126	Inlet Filter	A, B
					28	239-M-411634		Set Screw	A thru D

# Air Products

## Style 2200 Two-Stage Regulators



Parts 29, 31 and 28 **must** be ordered together to replace equivalent parts in any aluminum regulator produced before May, 1973.













