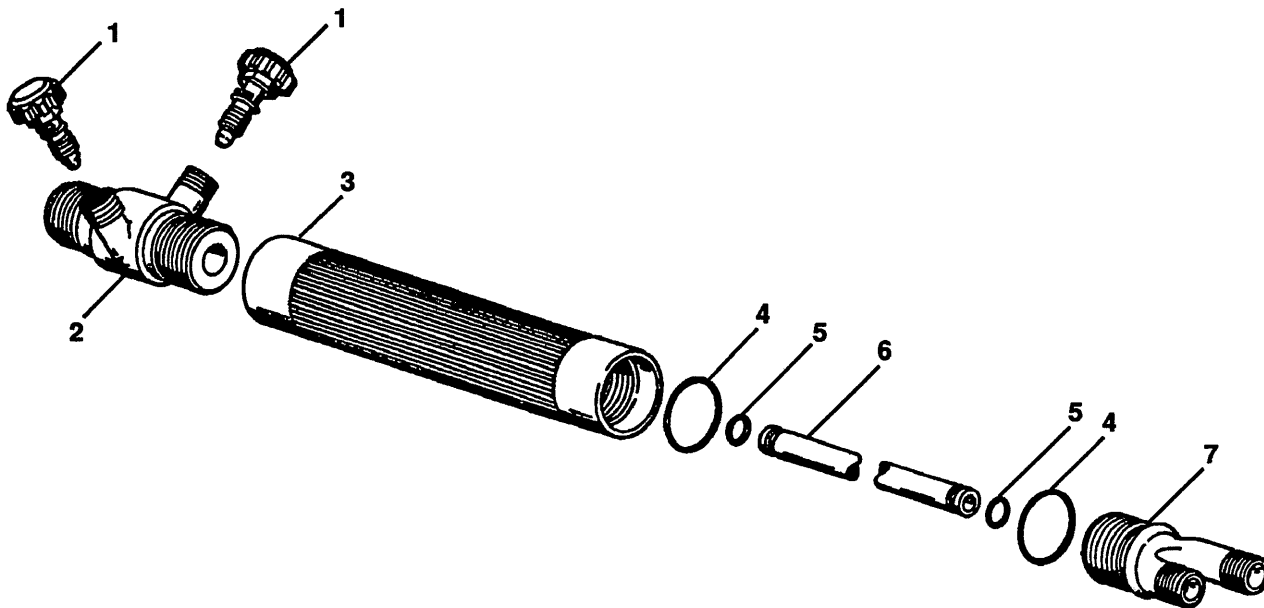


Harris

Model 15

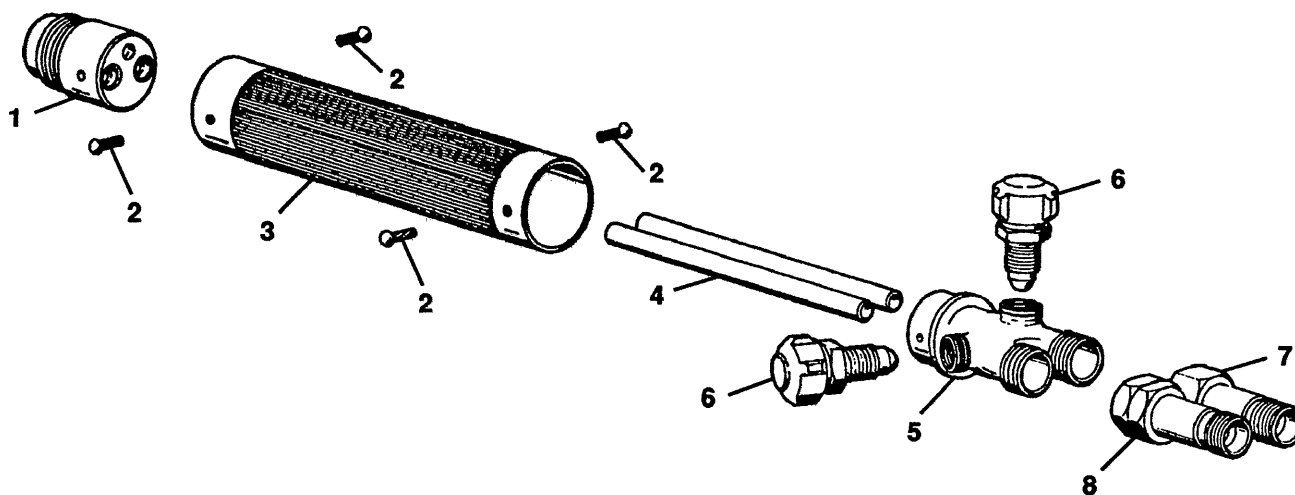
Welding Torch



REF. NO.	MFG. NO.	S-S NO.	DESCRIPTION	CODE	REF. NO.	MFG. NO.	S-S NO.	DESCRIPTION	CODE
15			Welding Torch		4	9004503	H-229	Large O-Ring (2)	
1	9100068	H-256	Needle Valve Stem Assembly (2)		5	9004495	H-120	Small O-Ring (2)	
2	9000434		Body		6	9000490		Oxygen Tube	
3	9000446		Handle Casing		7	9000486		Tail	

Harris

Models 16, 63-2 and 85 Welding Torches



REF. NO.	MFG. NO.	S-S NO.	DESCRIPTION	CODE	REF. NO.	MFG. NO.	S-S NO.	DESCRIPTION	CODE
	16		Welding Torch	A		9000372	H-285	Tail	B
	63-2		Welding Torch	B	6	9100062	H-058	Needle Valve Stem Assembly (2)	A, C
	85		Welding Torch	C		9101360	H-057	Needle Valve Stem Assembly (2)	B
1	9006308		Block	A					
	9002870	H-265	Block	B					
	9003662	H-266	Block	C	7	4300062	CVR-002	Check Valve, R. H.	A, B, C
2	9000392	H-311	Handle Drive Screw (4)	A, B, C	8	4300061	CVL-001	Check Valve, L. H.	A, B, C
3	9001643		Handle Casing	A					
	9000352		Handle Casing	B					
	9003666		Handle Casing	C					
4	8801400		Gas Tube (2)	A					
	9000374		Gas Tube (2)	B					
	9000414		Gas Tube (2)	C					
5	9000402		Tail	A, C					



