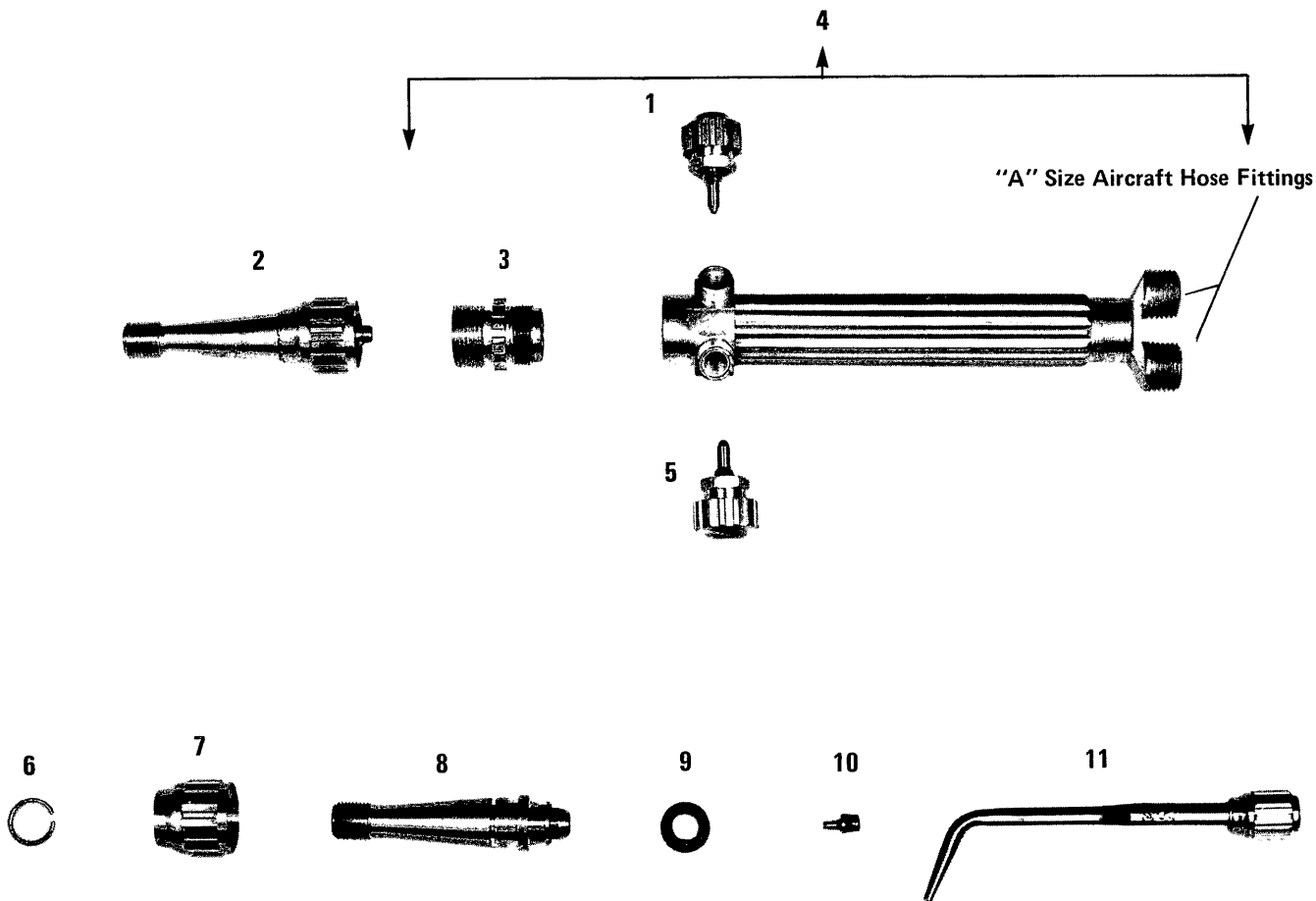


National Welding

Model 30-WT

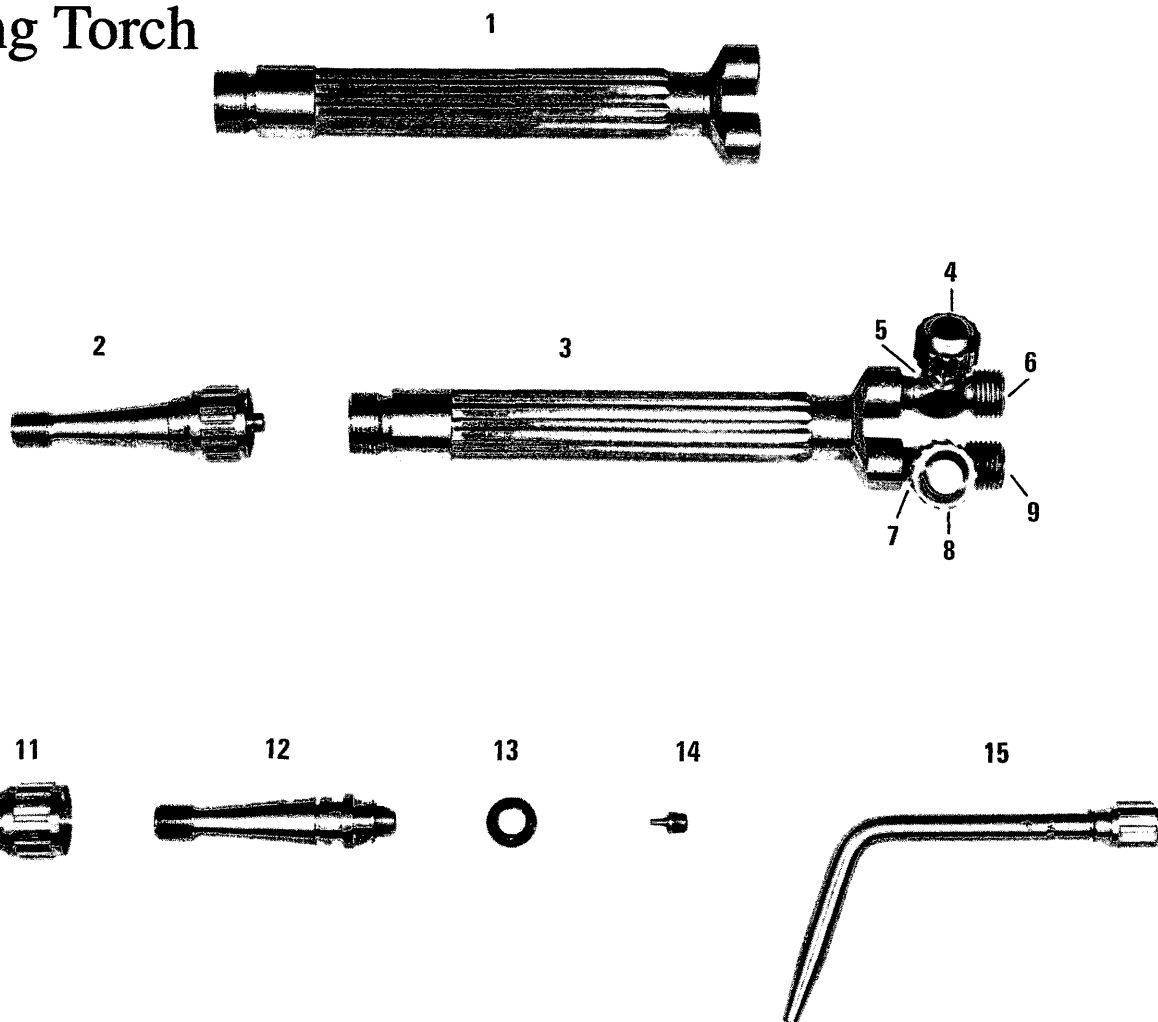
Welding Torch



REF. NO.	MFG. NO.	S-S NO.	DESCRIPTION	CODE	REF. NO.	MFG. NO.	S-S NO.	DESCRIPTION	CODE
	30-WT		Welding Torch		7	13101091		Mixer Nut	
1	13102120		Valve Stem Assembly		8			Not Sold Separately	
2	13102072		Mixer Assembly		9	16231340		Sealing Ring	
3	13101011		Front End Piece		10	13101098		Safety Cap	
4	13102031		Welding Handle		11			Type B Nozzle	
5	13102120		Valve Stem Assembly					Type G Alternate Nozzle	
6	16651121		Snap Ring						

National Welding

Model 50-WT Welding Torch

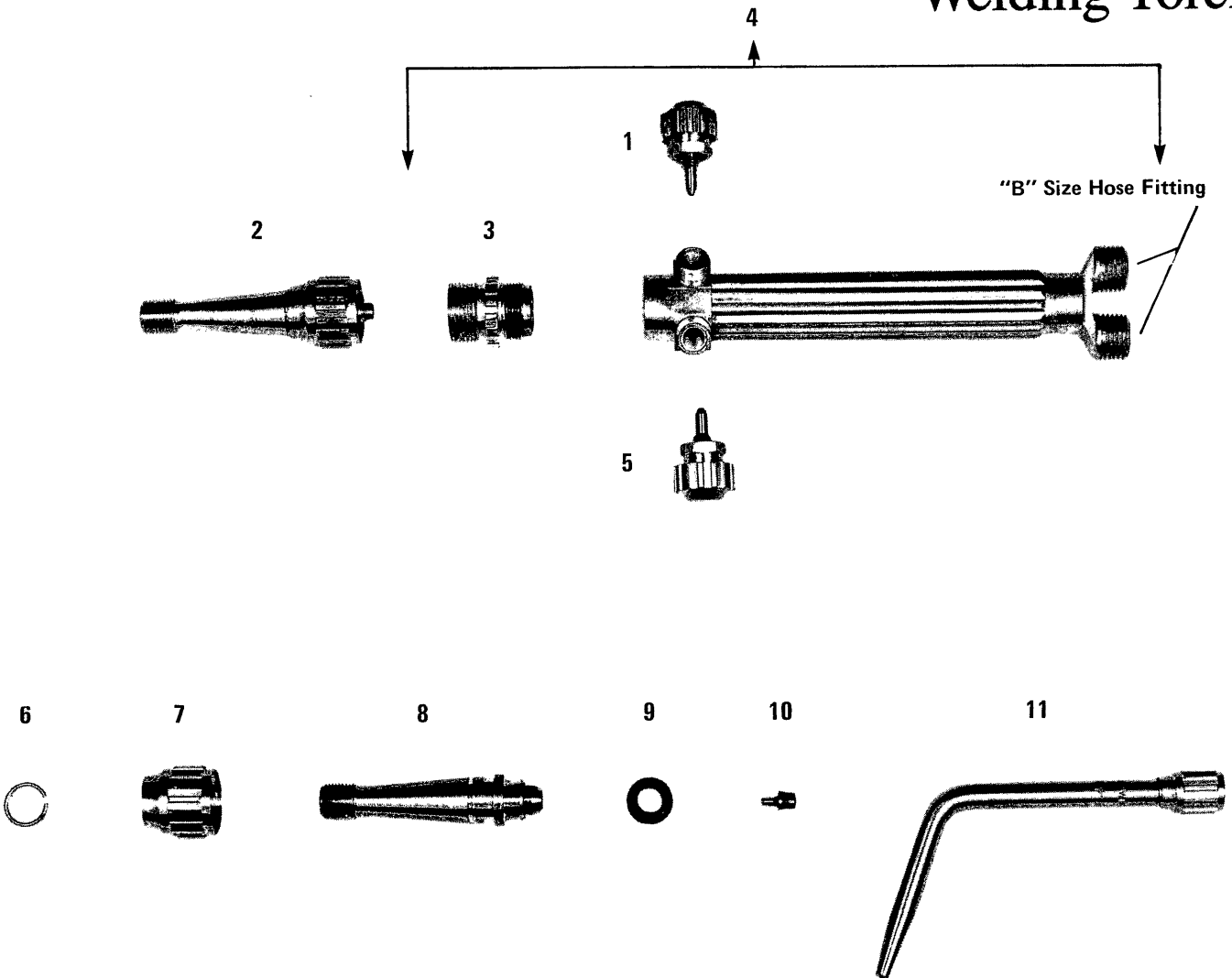


REF. NO.	MFG. NO.	S-S NO.	DESCRIPTION	CODE	REF. NO.	MFG. NO.	S-S NO.	DESCRIPTION	CODE
	50-WT		Welding Torch		9	15600390		Acet. Needle Valve (B Size)	
1	13103041		Handle Assembly		10	16651125		Snap Ring	
2	13102074		Mixer Assembly		11	13101092		Mixer Nut	
3	13102054		Welding Handle		12			Not Sold Separately	
4	15602305	N-077	Valve Stem Assembly		13	16231320	N-018	Sealing Ring	
5	15601381		Valve Body		14	13101098		Safety Cap	
6	15600380		Oxygen Needle Valve (B Size)		15			Type G Nozzle	
7	15601391		Valve Body					Type B Alternate Nozzle	
8	15602305	N-077	Valve Stem Assembly						

National Welding

Model 52-WT

Welding Torch

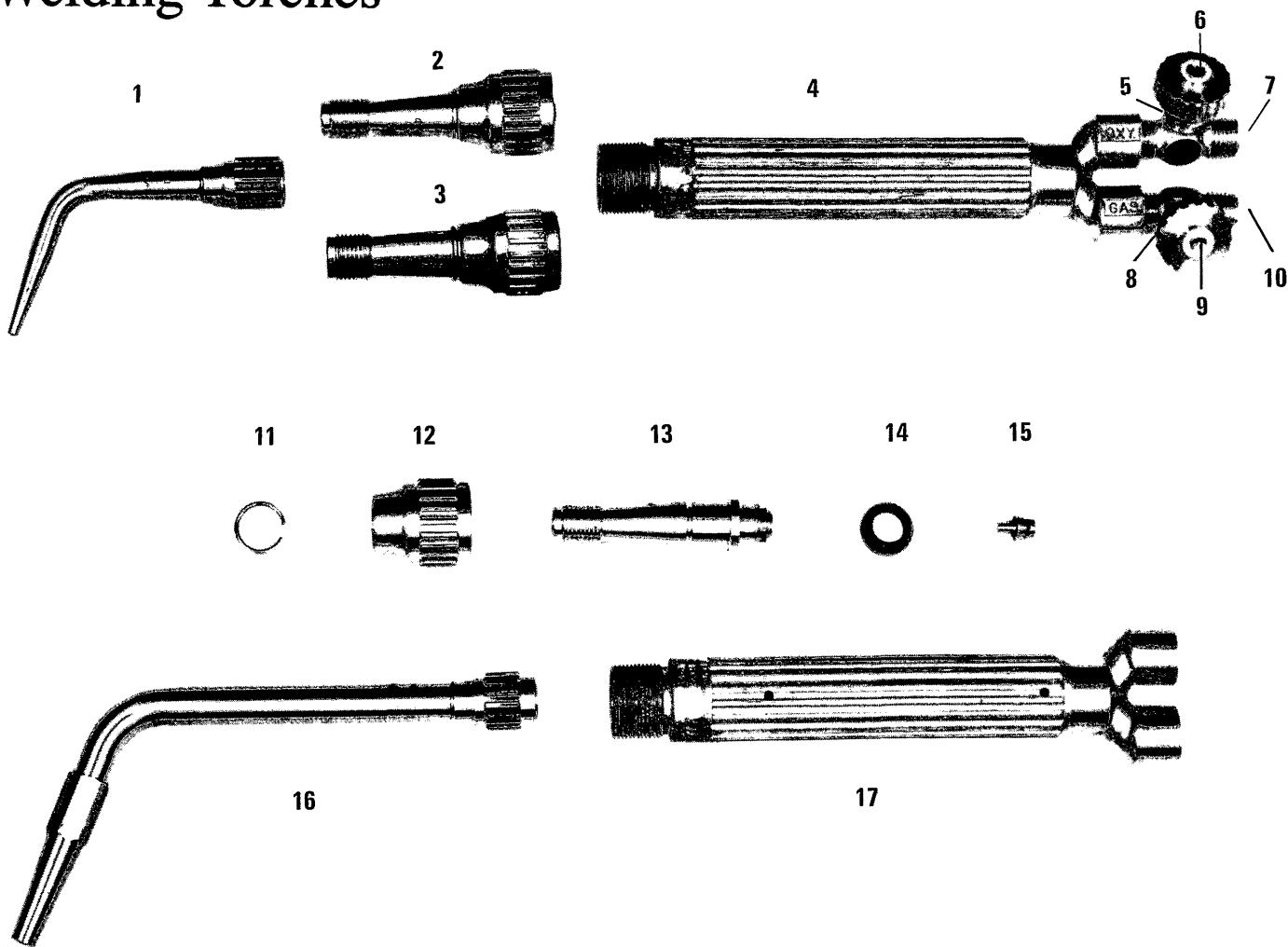


REF. NO.	MFG. NO.	S-S NO.	DESCRIPTION	CODE	REF. NO.	MFG. NO.	S-S NO.	DESCRIPTION	CODE
	52-WT		Welding Torch		7	13101092		Mixer Nut	
1	13102152		Valve Stem Assembly		8			Not Sold Separately	
2	13102074		Mixer Assembly		9	16231320	N-018	Sealing Ring	
3	13101013		Front End Piece		10	13101098		Safety Cap	
4	13102053		Welding Handle Assembly		11			Type G Nozzle	
5	13102152		Valve Stem Assembly					Type B Alternate Nozzle	
6	16651125		Snap Ring						

National Welding

Models 110-160-WT

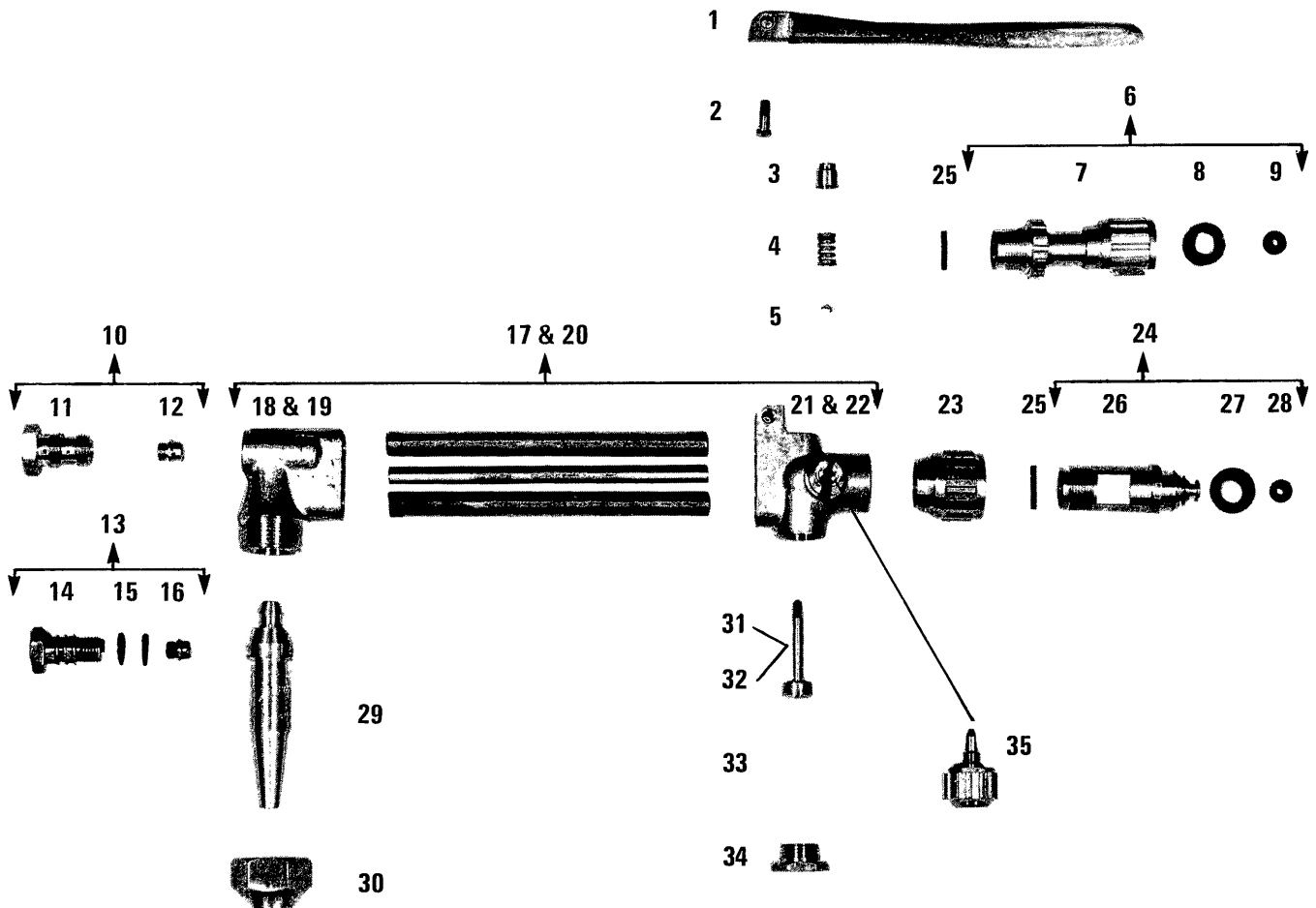
Welding Torches



REF. NO.	MFG. NO.	S-S NO.	DESCRIPTION	CODE	REF. NO.	MFG. NO.	S-S NO.	DESCRIPTION	CODE
1			P-Nozzle		10	15600150		Valve, complete	
2	13102082		Mixer Assy. (Use P Series Nozzle) 110		11	16651127		Snap Ring	
3	13102084		Mixer Assy. (Use R Series Nozzle) 160		12	13101093		Mixer Nut	
4	13102043		Handle Assembly		13			Not Available	
5	15601101		Valve Body		14	16231310	N-021	Sealing Ring	
6	15602105	N-072	Valve Stem Assembly		15	13101097		Safety Cap	
7	15600100		Valve, complete		16			R-Nozzle	
8	15601151		Valve Body		17	13103043		Handle	
9	15602105		Valve Stem Assembly						

National Welding

Models 15CA, 25CA & 15CA-1 & 25 CA-1 Cutting Attachments

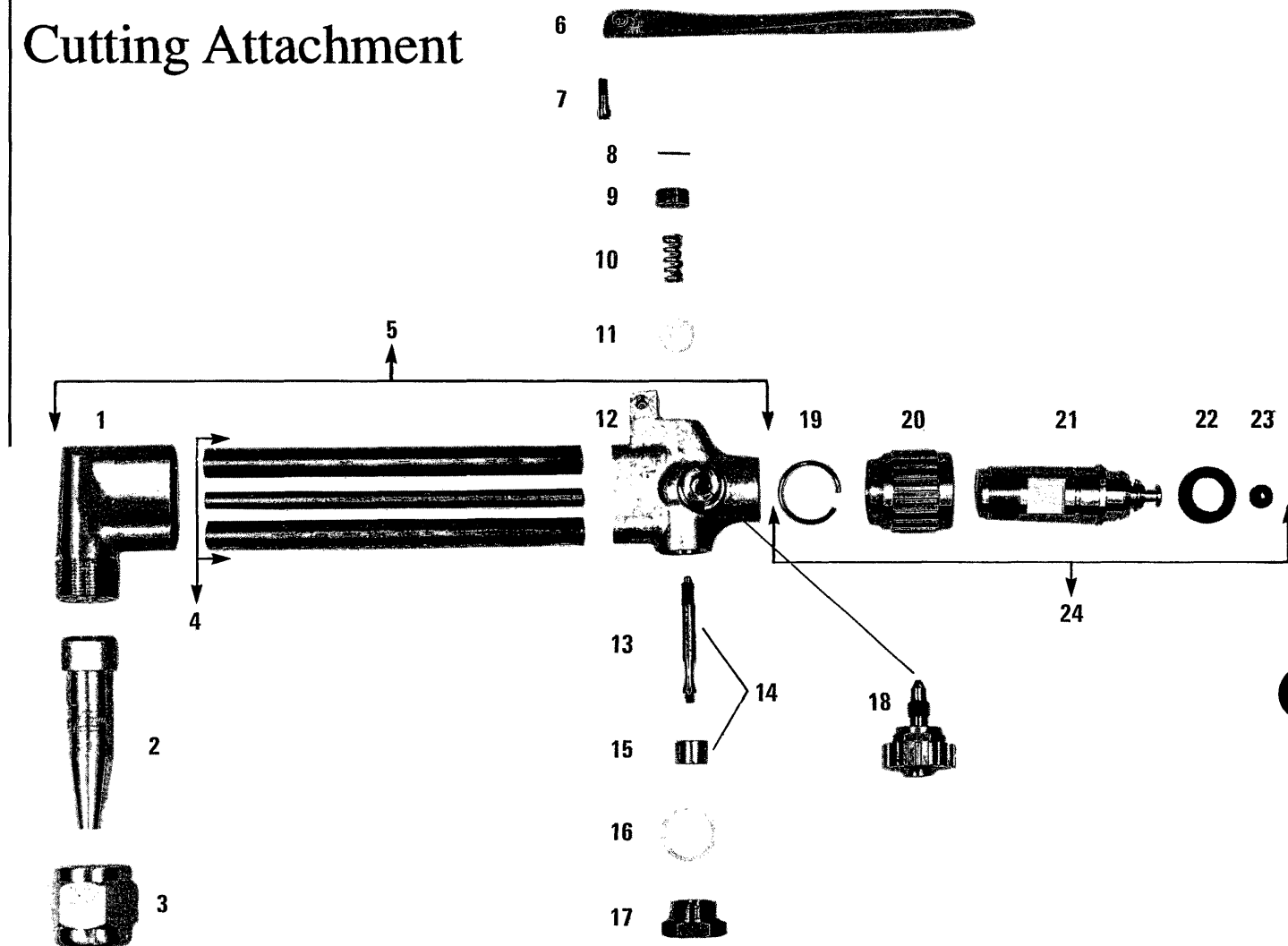


REF. NO.	MFG. NO.	S-S NO.	DESCRIPTION	CODE	REF. NO.	MFG. NO.	S-S NO.	DESCRIPTION	CODE
1	13301524		H.P. Valve Lever		20	13300007		Head & Butt Assy. 15CA-1 & 25CA-1	
2	13211025		Lever Screw		21	13300011		Butt 15CA-1 & 25CA-1	
3	13301515		Valve Stem Nut		22	13301517		Butt 15CA-1 & 25CA-1	
4	16051010		Valve Spring		23	13101092		Attachment Nut	
5	16291218		Valve Packing		24	13302519	N-048	Adapter Piece Assy. for 25CA & 25CA-1	
6	13302016		Adapter Piece Assy. for 15CA & 15CA-1		25	16200039		Gasket at 15CA-1 & 25CA-1	
7	13302016		Adapter Piece		26	13301516		Adapter Piece	
8	16231320	N-018	Sealing Ring		27	16231320	N-018	Sealing Ring	
9	16231323	N-017	Sealing Ring		28	16231323	N-017	Sealing Ring	
10	13302533		Mixer Assy. 15CA & 25CA		29	25AA		Series Tip	
11	13301503		Mixer		30	13301501		Tip Nut	
12	13301504		Safety Cap		31	13300009		H.P. Valve Stem & Seat 15 & 25CA-1	
13	13300008		Mixer Assy. 15CA-1 & 25CA-1		32	13302520		H.P. Valve Stem & Seat 15 & 25CA	
14	13300012		Miser 15CA-1 & 25CA-1		33	16231021		Nylon Gasket	
15	16100000		O-Rings		34	13301511		H.P. Valve Cap	
16	13301504		Safety Cap		35	15602305	N-077	Valve Stem Assembly	
17	13302522		Head & Butt Assy. 15CA & 25CA						
18	13301502		90° Head						
19	13300010		90° Head 15CA-1 & 25CA-1						

National Welding

Model 210-CA

Cutting Attachment

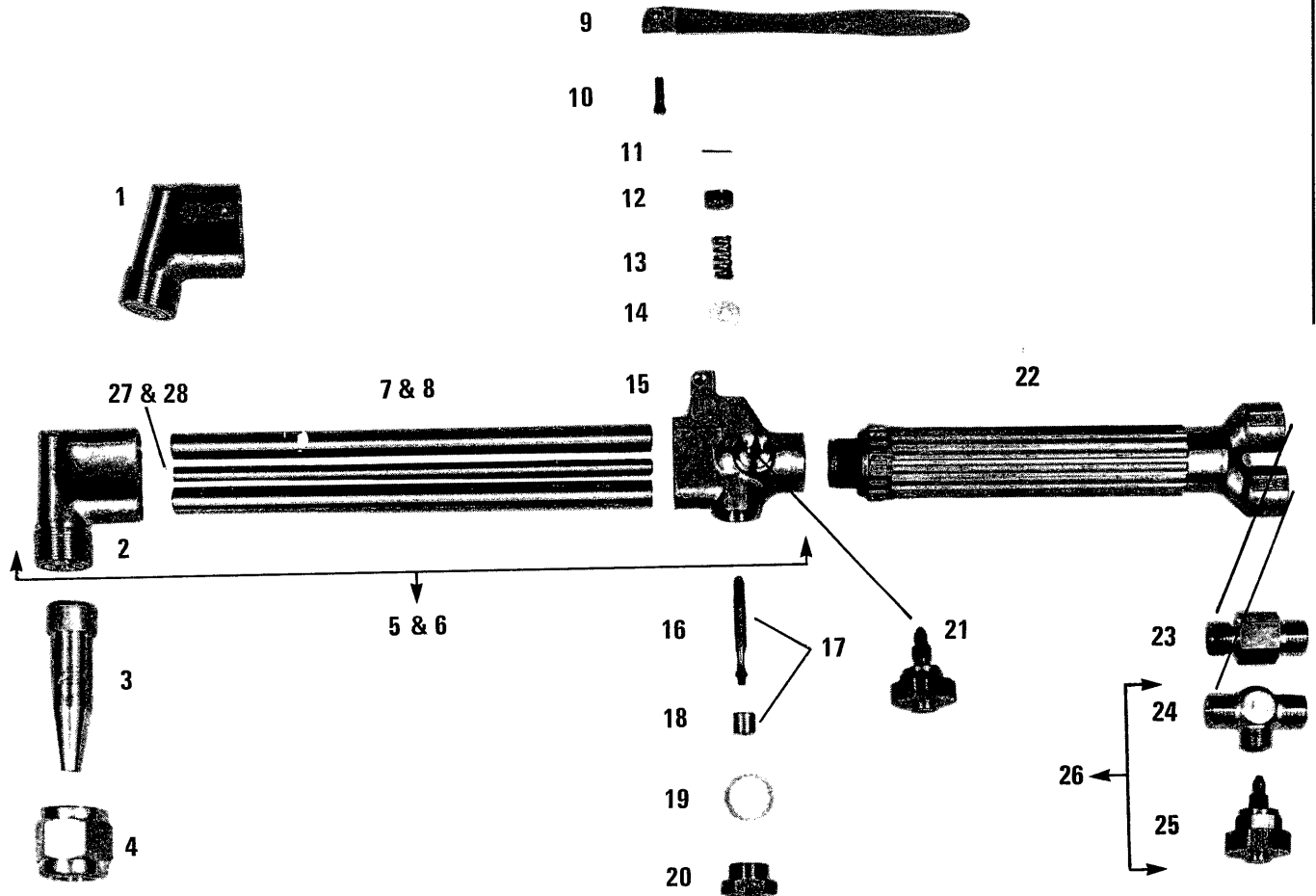


REF. NO.	MFG. NO.	S-S NO.	DESCRIPTION	CODE	REF. NO.	MFG. NO.	S-S NO.	DESCRIPTION	CODE
1	13200091		90° Head		21	13301534		Adaptor Piece	
2			A Series Tip		22	16231336	N-020	Sealing Ring	
3	13201001	N-002	Tip Nut		23	16231335	N-019	Sealing Ring	
4			Not Sold Separately		24	13302535		Adaptor Pc. Assembly	
5	13302542		Head & Butt Assy., 90°						
6	13301524		H.P. Lever						
7	13211041		Lever Screw						
8	13201021	N-015	Valve Stem Nut Pin						
9	13201013		Valve Stem Nut						
10	16051014		Valve Spring						
11	16291216	N-010	Valve Packing						
12	13201042		Center Butt						
13	13201017		H.P. Valve Stem						
14	13200017	N-012	H.P. Stem and Seat Assy.						
15	13202018	N-013	H.P. Seat						
16	16231022	N-016	Valve Cap Gasket						
17	13201040		Valve Cap						
18	15602105	N-072	Valve Stem Assembly						
19	16651129		Snap Ring						
20	13301537		Attachment Nut						

National Welding

Models 300-320-CT

Cutting Torches

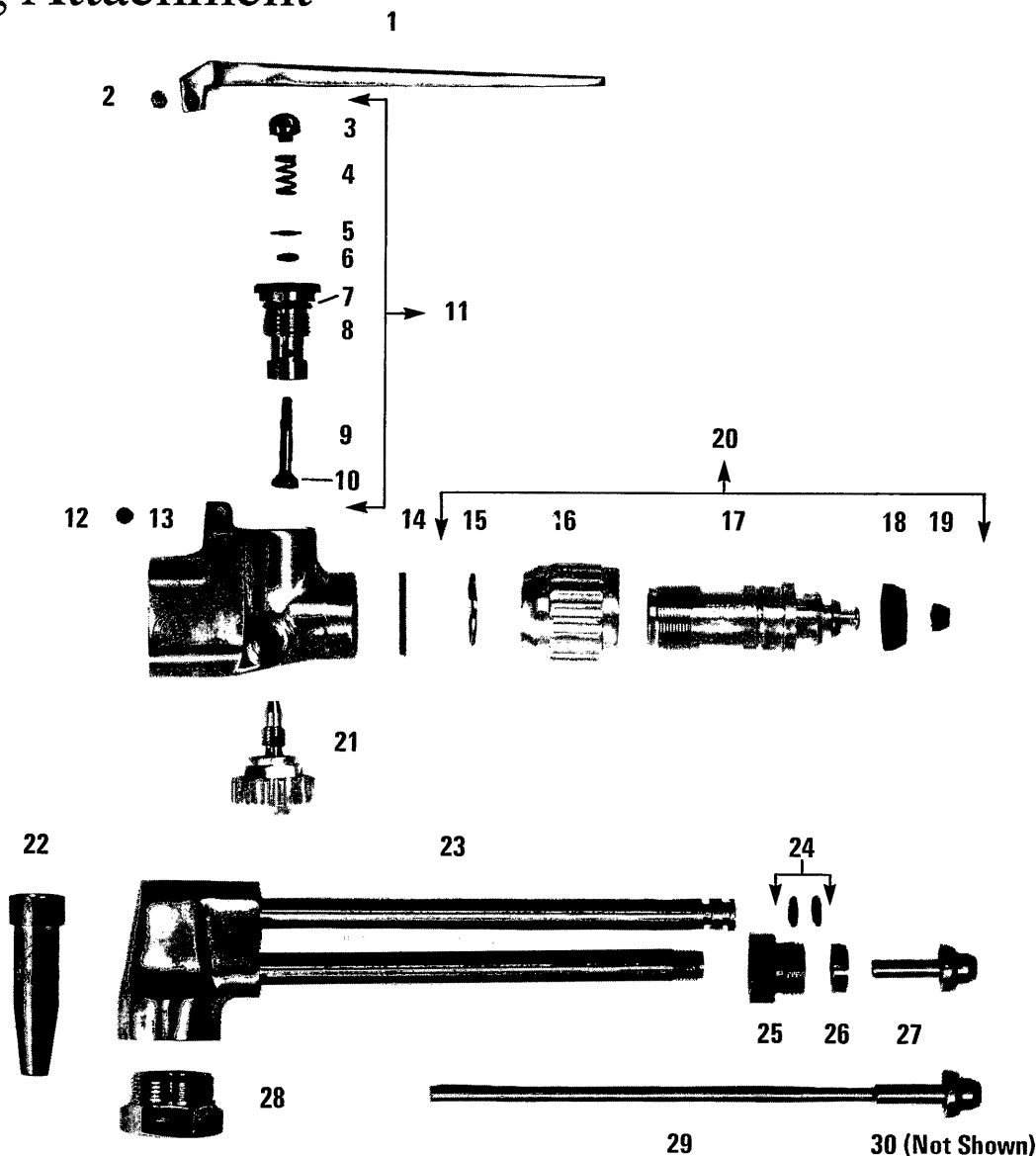


REF. NO.	MFG. NO.	S-S NO.	DESCRIPTION	CODE	REF. NO.	MFG. NO.	S-S NO.	DESCRIPTION	CODE
1	13200075	N-002	75° Head		20	13201040	N-072	Gasket	
2	13200091		90° Head		21	15602105		Valve Stem Assembly	
3			A-Series Tip		22	13202244		Handle Assembly	
4	13201001		Tip Nut		23	13201012		Oxygen Inlet, long	
5	13202262		Head & Butt Assy. 300CT		24	15601151		Acet. Valve Body	
6	13202272		Head & Butt Assy. 320 CT (Not shown)		25	15602105		Valve Stem Assembly	
7	13221060	N-010	O ₂ Tube 300CT		26	15600150		Valve, complete	
8	13221062		O ₂ Tube 320CT (Not shown)		27	13221061		Acet. Tube 300CT	
9	13301524		Lever		28	13221063		Acet. Tube 320CT (Not shown)	
10	13211041		H.P. Lever Screw						
11	13201021		Valve Stem Nut Pin						
12	13201013		Valve Stem Nut						
13	16051014		Valve Spring						
14	16291216		Valve Packing						
15	13201042		Center Butt						
16	13201017		H.P. Valve Stem						
17	13100017	H.P. Stem & Seat Assembly							
18	13202018	N-013	H.P. Valve Seat						
19	16231022	N-016	Gasket						

National Welding

Model 910CA

Cutting Attachment

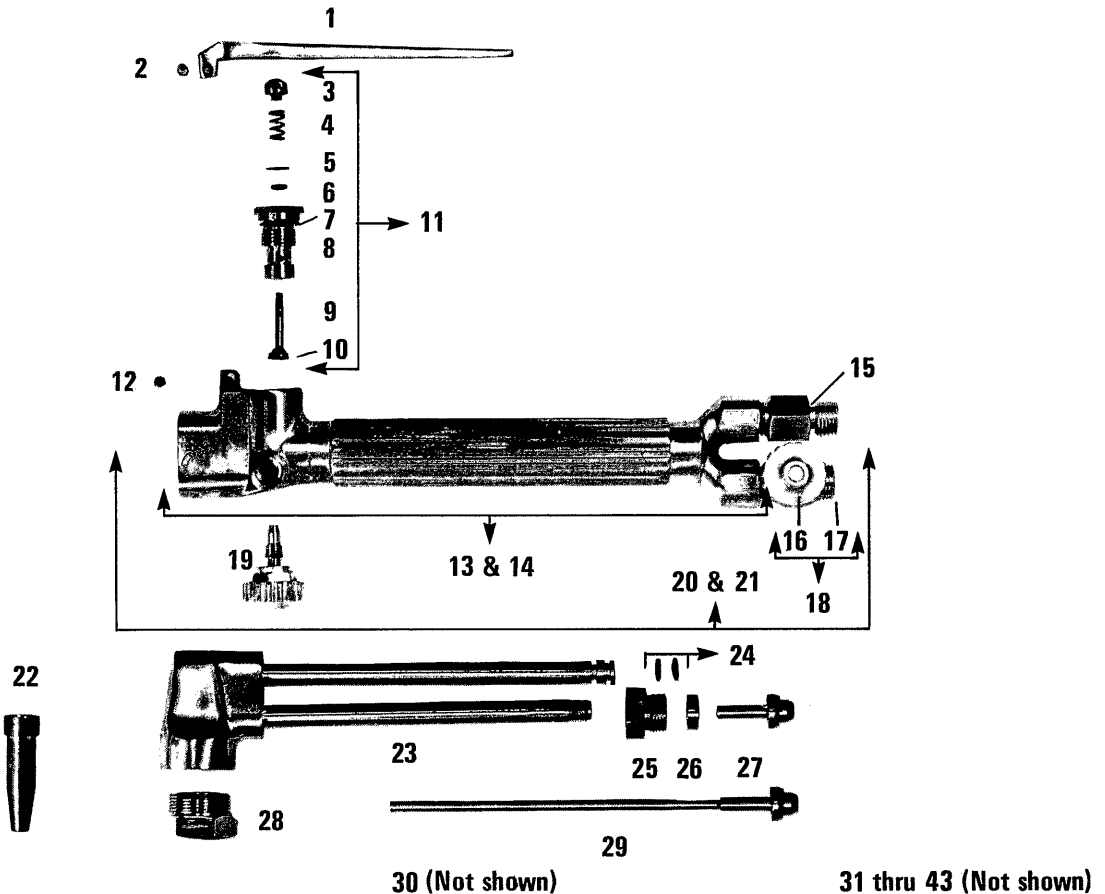


REF. NO.	MFG. NO.	S-S NO.	DESCRIPTION	CODE	REF. NO.	MFG. NO.	S-S NO.	DESCRIPTION	CODE
1	13200917		Lever		16	13301537		Adapter Nut	
2	16600460		Lever Pin		17	13301534		Adapter	
3	13200909		Button		18	16231336	N-020	Sealing Ring	
4	46011168		Spring		19	16231335	N-019	Sealing Ring	
5	13200913		Washer		20	13302535		Adapter Piece Assembly	
6	16141001	N-277	O-Ring		21	15602105	N-072	Valve Stem Assembly	
7	46141731		O-Ring		22			TA, TL & MTL Series Tip	
8	13200914		H.P. Valve Body		23	13200944		Head & Tube Assy. 910-CA	
9	13200912		Valve		24	16141006	N-091	O-Ring	
10	16141001	N-277	O-Ring		25	13200907		Nut	
11	13200910		H.P. Valve Assembly		26	13200908		Retaining Nut	
12	46651604		Set Screw		27	13200926		L.P. Mixer	
13	13300902		Body		28	13201525	N-322	Tip Nut	
14	13300903		Gasket		29	13200964		M.P. Mixer	
15	16651129		Snap Ring		30	13300974		Head & Tube Assembly - 75°	

National Welding

900CT Series

Cutting Torch

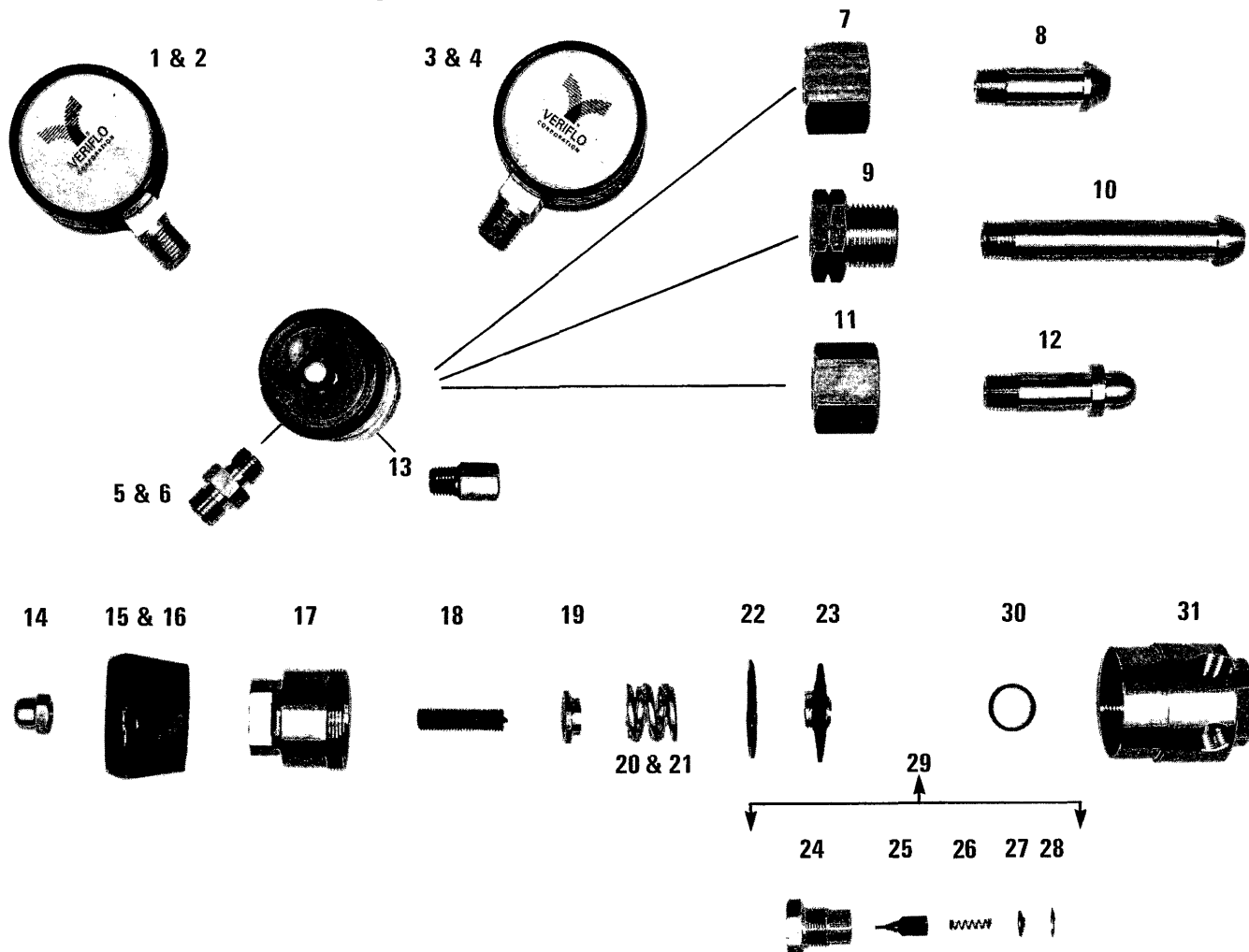


REF. NO.	MFG. NO.	S-S NO.	DESCRIPTION	CODE	REF. NO.	MFG. NO.	S-S NO.	DESCRIPTION	CODE
1	13200917		Lever		23	13200904		Head & Tube Assembly 21"	
2	16600460		Lever Pin		24	16141006	N-091	O-Ring (2)	
3	13200909		Button		25	13200907		Nut	
4	46011168		Spring		26	13200908		Retaining Nut	
5	13200913		Washer		27	13200926		L.P. Mixer	
6	16141001	N-277	O-Ring		28	13201525	N-322	Tip Nut	
7	46141731		O-Ring		29	13200965		M.P. Mixer 21"	
8	13200914		H.P. Valve Body		30	13300974		Head & Tube Assy. - 75%, 210-CA	
9	13200912		Valve		31	13300974		75° Head & Tube Assy. Comp. 17"	
10	16141001	N-277	O-Ring		32	13200932		75° Head & Tube Assy. Comp. 21"	
11	13200910		H.P. Valve Assembly		33	13200939		75° Head & Tube Assy. Comp. 27"	
12	46651604		Set Screw		34	13200972		75° Head & Tube Assy. Comp. 36"	
13	13200916		Handle Assy. Top Lever		35	13200946		90° Head & Tube Assy. Comp. 17"	
14	13200934		Handle Assy. Bottom Lever		36	13200973		90° Head & Tube Assy. Comp. 27"	
15	13201012		Oxygen Inlet Adapter		37	13200953		90° Head & Tube Assy. Comp. 36"	
16	15602105	N-072	Valve Stem Assembly		38	13200983		180° Head & Tube Assy. Comp. 21"	
17	15601151		Valve Body		39	13200997		180° Head & Tube Assy. Comp. 27"	
18	15600150		Valve Assembly		40	13200998		180° Head & Tube Assy. Comp. 36"	
19	15602105		Valve Stem Assembly		41	13200964		Mixer Assy. M.P. 17"	
20	13200911		Complete Handle Assy. Top Lever		42	13200966		Mixer Assy. M.P. 27"	
21	13200933		Com. Handle Assy. Bottom Lever		43	13200969		Mixer Assy. M.P. 36"	
22			TA, TL & MTL Series Tip						

National Welding

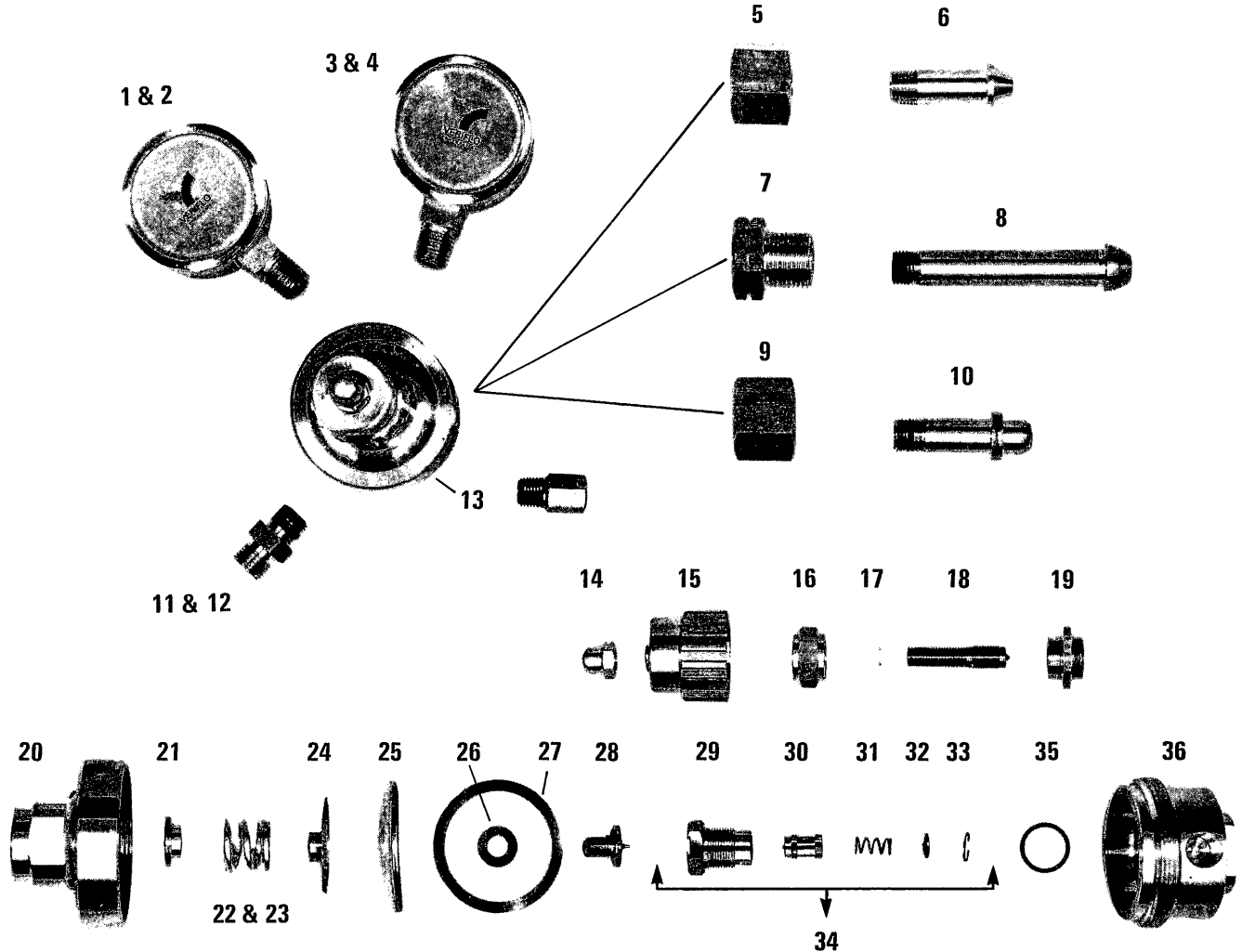
Models 601, 603 & 603CA

Single-Stage Regulators



REF. NO.	MFG. NO.	S-S NO.	DESCRIPTION	CODE	REF. NO.	MFG. NO.	S-S NO.	DESCRIPTION	CODE
1	16550100		L.P. Gauge Oxy. 2" x 100 Steel		21	46011015		Dia. Spring Acet.	
2	16570030		L.P. Gauge Acet. 2" x 30 Steel		22	11001412		Dia. Ring	
3	16554000		H.P. Gauge Oxy. 2" x 4000 Steel		23	16702000		Dia. Assembly	
4	16570400		H.P. Gauge Acet. 2" x 400 Steel		24	41300380		Nozzle	
5	11001252		Outlet Conn. (R.H.)		25	41103006		Poppet Assembly	
6	11001253		Outlet Conn. (L.H.)		26	46011007	N-308	Spring	
7	11801304		Inlet Nut CGA-300		27	11000444		Washer Screen	
8	11802303		Inlet Nipple CGA-300		28	16600194		Retaining Ring	
9	11801514		Inlet Nut CGA-510		29	41102002	N-235	Seat & Nozzle Assembly	
10	11802519		Inlet Nipple CGA-510		30	46231339	N-238	Nozzle Gasket	
11	11801544		Inlet Nut CGA-540		31	Not Sold		Body	
12	11801547		Inlet Nipple CGA-540						
13	15300070	N-171	Relief Valve (Oxy. only)						
14	11001030		Cap Nut						
15	11032049		Adj. Wheel Oxy. - Green						
16	11032425		Adj. Wheel Acet. - Red						
17	11001413		Diaphragm Cap						
18	11001058		Adj. Screw						
19	11002185		Spring Button						
20	16051066		Dia. Spring Oxy.						

National Welding 710 Series Single-Stage Regulator

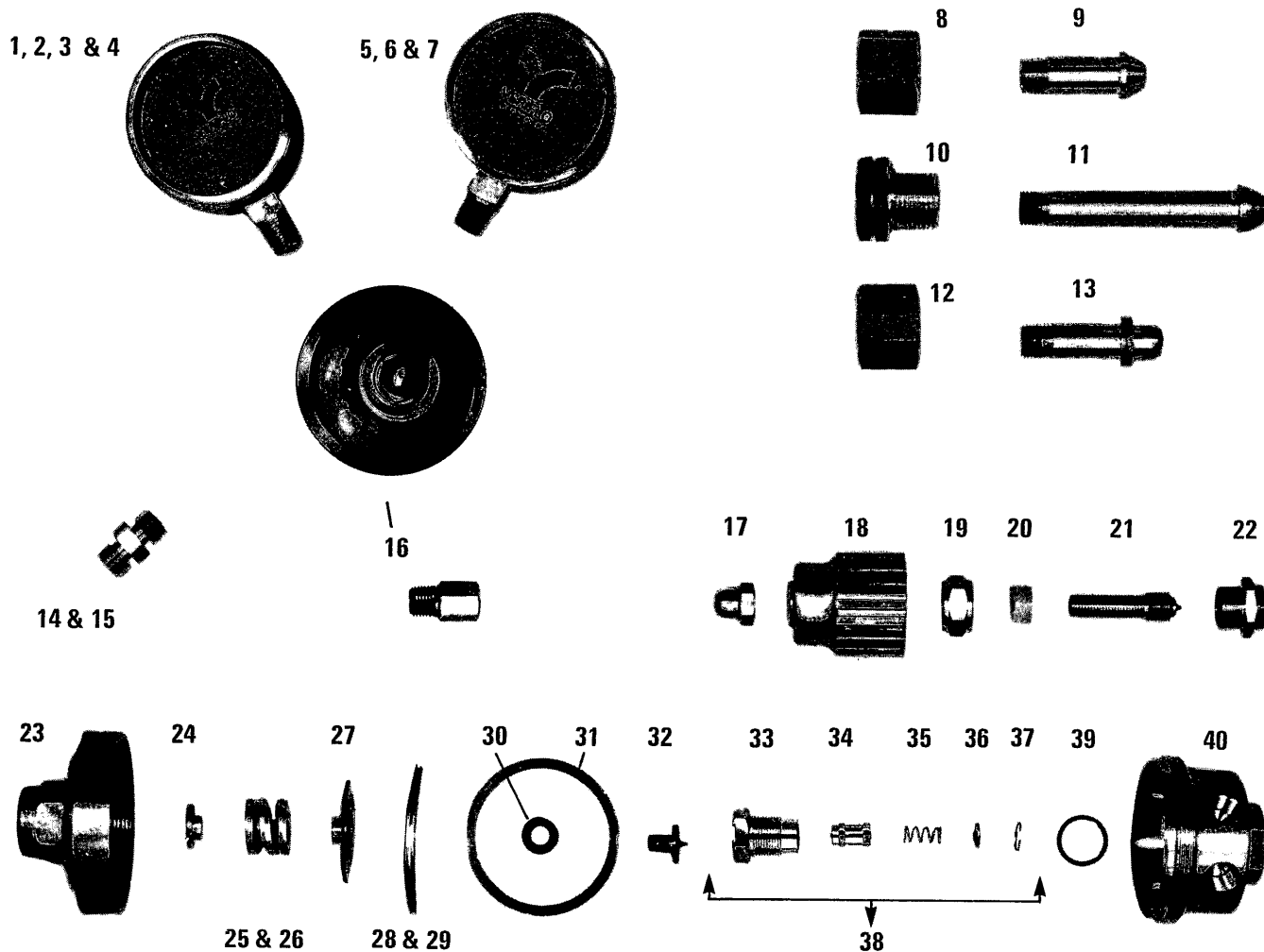


REF. NO.	MFG. NO.	S-S NO.	DESCRIPTION	CODE	REF. NO.	MFG. NO.	S-S NO.	DESCRIPTION	CODE
1	16550104		Gauge Oxy. 2" x 100 Brass		21	11002185		Button	
2	16570034		Gauge Acet. 2" x 30# Brass		22	16051066		Spring (Acet.)	
3	16554004		Gauge Oxy. 2" x 4000# Brass		23	16051067		Spring (O ₂)	
4	16570404		Gauge Acet. 2" x 400# Brass		24	11001161		Diaphragm Plate	
5	11801304		Inlet Nut CGA-300		25	11011076		Diaphragm	
6	11802303		Inlet Nipple CGA-300		26	16231004	N-131	Gasket	
7	11801514		Inlet Nut CGA-510		27	16231013	N-133	Gasket	
8	11802519	N-358	Inlet Nipple CGA-510		28	11011090		Actuating Pin	
9	11801544		Inlet Nut CGA-540		29	11000294		Nozzle	
10	11802557		Inlet Nipple CGA-540		30	11000195	N-247	Seat Assembly	
11	11001252		Outlet Conn. R.H.		31	46011168		Spring	
12	11001253		Outlet L.H.		32	11000444		Washer Screen	
13	15300070	N-171	Relief Valve (Oxy. only)		33	16600194		Retaining Ring	
14	11001030		Cap Nut		34	11000190	N-187	Seat & Nozzle Assembly	
15	11001039		Adjusting Cap		35	46231339	N-238	Nozzle Gasket	
16	15601808		Packing Nut		36	Not Sold		Body	
17	16231280		Packing Ring						
18	11001003		Adjusting Screw						
19	11001140		Cap Bushing						
20	11001121		Cap						

National Welding

720 Series

Single-Stage Regulator

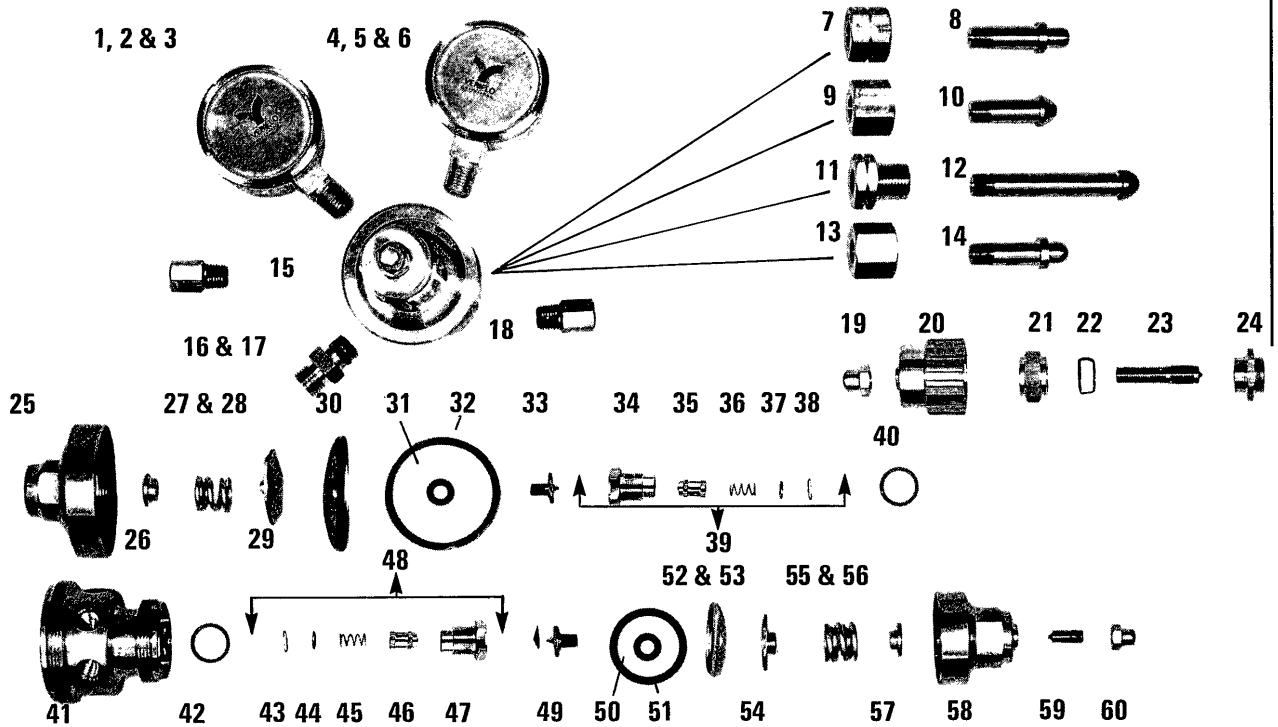


REF. NO.	MFG. NO.	S-S NO.	DESCRIPTION	CODE	REF. NO.	MFG. NO.	S-S NO.	DESCRIPTION	CODE
1	16550105		Gauge Oxy. 2-1/2" x 100# Brass		21	11001004		Adjusting Screw	
2	16510105		Gauge Plain 2-1/2" x 100# Brass		22	11001141		Bushing	
3	16550205		Gauge Oxy. 2-1/2" x 200# Brass		23	11001122		Diaphragm Cap	
4	16570035		Gauge Acet. 2-1/2" x 30# Brass		24	11002185		Spring Button	
5	16554005		Gauge Oxy. 2-1/2" x 4000# Brass		25	16051068		Spring (Oxy.)	
6	16514005		Gauge Plain 2-1/2" x 4000# Brass		26	16051066		Spring (Acet.)	
7	16570505		Gauge Acet. 2-1/2" x 400# Brass		27	11001162		Diaphragm Plate	
8	11801304		Inlet Nut CGA-0300		28	11011077		Diaphragm (Oxy.)	
9	11802303		Inlet Nipple CGA-300		29	11011078		Diaphragm (Acet.)	
10	11801514		Inlet Nut CGA-510		30	16231004	N-131	Gasket	
11	11802519	N-358	Inlet Nipple CGA-510		31	16231023	N-134	Gasket	
12	11801544		Inlet Nut CGA-540		32	11011090	N-122	Actuating Pin	
13	11802557		Inlet Nipple CGA-540		33	11000294		Nozzle	
14	11001252		Outlet Conn. R.H.		34	11000195	N-247	Seat Assembly	
15	11001253		Outlet L.H.		35	46011168		Spring	
16	15300070	N-290	Relief Valve (H.P. gases only)		36	11000444		Washer Screen	
17	11001025		Cap Nut		37	16600194		Retaining Ring	
18	11001027		Adjusting Cap		38	11000190	N-187	Seat & Nozzle Assembly	
19	15601858		Packing Nut		39	46231339	N-238	Nozzle Gasket	
20	11031022		Packing		40	Not Sold		Body	

National Welding

750 Series

Two-Stage Regulator

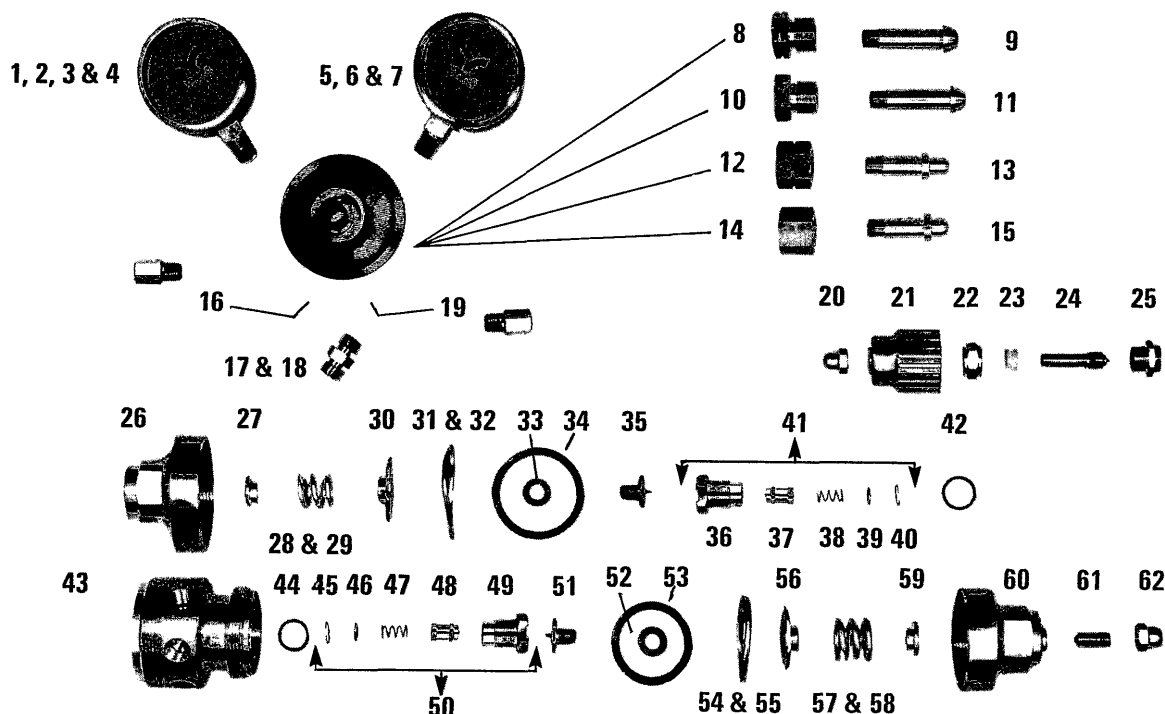


REF. NO.	MFG. NO.	S-S NO.	DESCRIPTION	CODE	REF. NO.	MFG. NO.	S-S NO.	DESCRIPTION	CODE
1	16550104		Gauge Oxy. 2" x 100# Brass		31	16231004	N-131	Gasket	
2	16570034		Gauge Acet. 2" x 30# Brass		32	16231013	N-133	Gasket	
3	16510104		Gauge Plain 2" x 100# Brass		33	11011090	N-122	Actuating Pin	
4	16554004		Gauge Oxy. 2" x 4000# Brass		34	11000294		Nozzle	
5	16570404		Gauge Acet. 2" x 400# Brass		35	11000195	N-247	Seat Assembly	
6	16514004		Gauge Plain 2" x 4000# Brass		36	46011168		Spring	
7	11801354		Inlet Nut CGA-350		37	11000444		Washer Screen	
8	11801353		Inlet Nipple CGA-350		38	16600194		Retaining Ring	
9	11801304		Inlet Nut CGA-300		39	11000190	N-187	Seat & Nozzle Assembly	
10	11802303		Inlet Nipple CGA-300		40	46231339	N-238	Nozzle Gasket	
11	11801514		Inlet Nut CGA-510		41			Body	
12	11802519		Inlet Nipple CGA-510		42	46231339	N-238	Nozzle Gasket	
13	11801544		Inlet Nut CGA-540		43	16600194		Retaining Ring	
14	11802557		Inlet Nipple CGA-540		44	11000444		Washer Screen	
15	15300070	N-171	Relief Valve (L.P.)		45	46011168		Spring	
16	11001252		Outlet Conn. (R.H.)		46	11000195	N-247	Seat Assembly	
17	11001253		Outlet Conn. (L.H.)		47	11000294		Nozzle	
18	15300080	N-170	Relief Valve (H.P.)		48	11000190	N-187	Seat & Nozzle Assembly	
19	11001030		Cap Nut		49	11011090	N-122	Actuating Pin	
20	11001039		Adjusting Cap		50	16231004	N-131	Gasket	
21	15601808		Packing Nut		51	16231003	N-132	Gasket	
22	16231280		Packing		52	11011073		Diaphragm (Oxy.)	
23	11001003		Adjusting Screw		53	11011074		Diaphragm (Acet.)	
24	11001140		Bushing		54	11001160		Diaphragm Plate	
25	11001121		Diaphragm Cap		55	16051068		Spring (Oxy.)	
26	11002185		Spring Button		56	16051067		Spring (Acet.)	
27	16051066		Spring (Acet.)		57	11001175		Spring Button	
28	16051068		Spring (Oxy.)		58	11001120		Diaphragm Cap	
29	11001161		Diaphragm Plate		59	11001046		Preset Screw	
30	11011076		Diaphragm (Oxy. & Acet.)		60	11001030		Nut	

National Welding

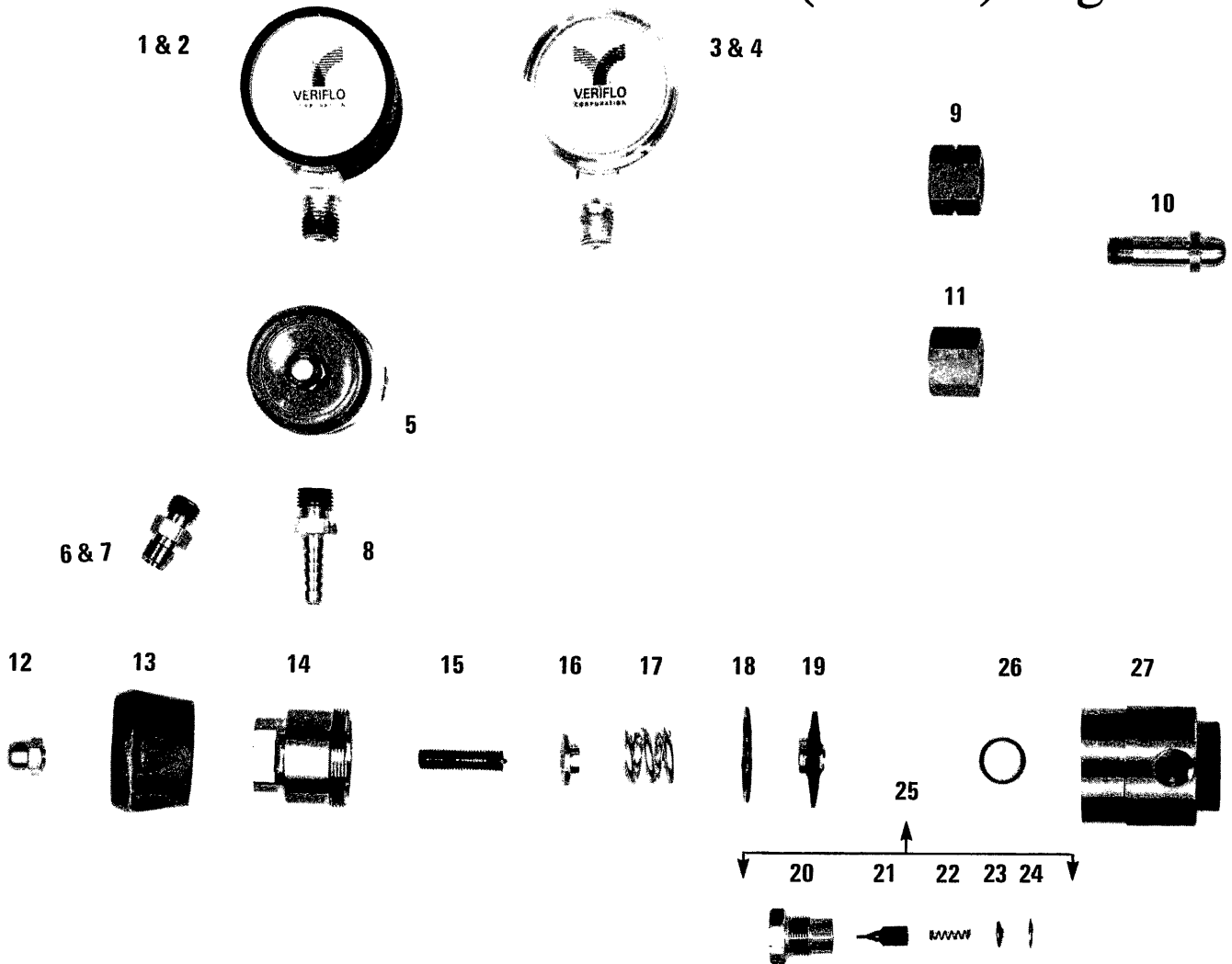
760 Series

Two-Stage Regulator



REF. NO.	MFG. NO.	S-S NO.	DESCRIPTION	CODE	REF. NO.	MFG. NO.	S-S NO.	DESCRIPTION	CODE
1	16550105		Gauge Oxy. 2-1/2" x 100# Brass		32	11011078		Diaphragm (Acet.)	
2	16570035		Gauge Acet. 2-1/2" x 30# Brass		33	16231004	N-131	Gasket	
3	16550205		Gauge Oxy. 2-1/2" x 200# Brass		34	16231023	N-134	Gasket	
4	16510105		Gauge Plain 2-1/2" x 100# Brass		35	11011090	N-122	Actuating Pin	
5	16554005		Gauge Oxy. 2-1/2" x 4000# Brass		36	11000294		Nozzle	
6	16570505		Gauge Acet. 2-1/2" x 400# Brass		37	11000195	N-247	Seat Assembly	
7	16514005		Gauge Plain 2-1/2" x 4000# Brass		38	46011168		Spring	
8	11801514		Inlet Nut CGA-510		39	11000444		Washer Screen	
9	11802519	N-358	Inlet Nipple CGA-510		40	16600194		Retaining Ring	
10	11801584		Inlet Nut CGA-580		41	11000190	N-187	Seat & Nozzle Assembly	
11	11802519	N-358	Inlet Nipple CGA-580		42	46231339	N-238	Nozzle Gasket	
12	11801354		Inlet Nut CGA-350		43	Not Sold		Body	
13	11802353		Inlet Nipple CGA-350		44	46231339	N-238	Nozzle Gasket	
14	11801544		Inlet Nut CGA-540		45	16600194		Retaining Ring	
15	11802557		Inlet Nipple CGA-540		46	11000444		Washer Screen	
16	15300070	N-171	Relief Valve (L.P.)		47	46011168		Spring	
17	11001252		Outlet Conn. (R.H.)		48	11000195	N-247	Seat Assembly	
18	11001253		Outlet Conn (L.H.)		49	11000294		Nozzle	
19	15300080	N-170	Relief Valve (H.P.)		50	11000190	N-187	Seat & Nozzle Assembly	
20	11001025		Cap Nut		51	11011090	N-122	Actuating Pin	
21	11001027		Adjusting Cap		52	16231004	N-131	Gasket	
22	15601858		Packing Nut		53	16231003	N-132	Gasket	
23	11031022		Packing		54	11011073		Diaphragm (Oxy.)	
24	11001004		Adjusting Screw		55	11011074		Diaphragm (Acet.)	
25	11001141		Bushing		56	11001160		Diaphragm Plate	
26	11001122		Diaphragm Cap		57	16051068		Spring (Oxy.)	
27	11002185		Spring Button		58	16051067		Spring (Acet.)	
28	16051066		Spring (Acet.)		59	11001175		Spring Button	
29	16051068		Spring (Oxy.)		60	11001120		Diaphragm Cap	
30	11001162		Diaphragm Plate		61	11001046	N-167	Preset Screw	
31	11011077	N-128	Diaphragm (Oxy.)		62	11001030		Nut	

National Welding 608 & 618 Series Line (Station) Regulator

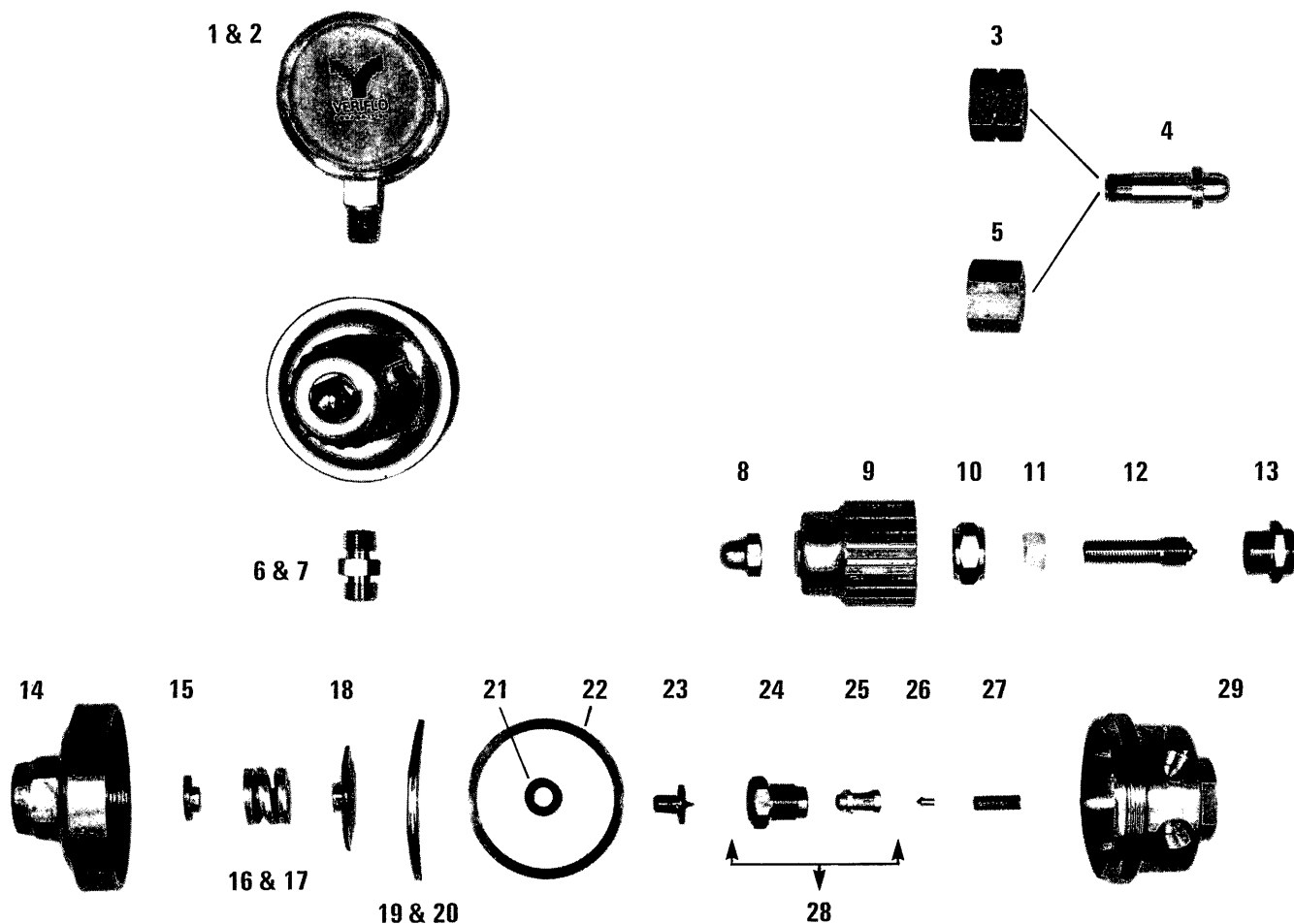


REF. NO.	MFG. NO.	S-S NO.	DESCRIPTION	CODE	REF. NO.	MFG. NO.	S-S NO.	DESCRIPTION	CODE
1	16530104	N-229	Gauge Black Steel 2" x 100# (608G1)		21	11002293	N-308	Poppet Assembly	
2	16530204		Gauge Black Steel 2" x 200# (608 G2)		22	46011007		Spring	
3	16510204		Gauge Plain 2" x 200# Brass (618-619)		23	11000444		Washer Screen	
4	16510034		Gauge Plain 2" x 30# Brass (618-619)		24	16600194		Retaining Ring	
5	11001205		Gauge Plug (608-T)		25	11002245	Seat & Nozzle Assembly		
6	11001252		Outlet Conn. (R.H.)		26	46231339	Nozzle Gasket		
7	11001253		Outlet Conn. (L.H.)		27	Not Sold	Body		
8	11001259		Hose Connection						
9	11801180		Nut L.H.						
10	16901081		Inlet Nipple						
11	11801182		Nut R.H.						
12	11001030		Cap Nut						
13	11032424		Adjusting Wheel						
14	11001413		Diaphragm Cap						
15	11001058		Adjusting Screw						
16	11002185		Spring Button						
17	16051066		Spring						
18	11001412		Diaphragm Ring						
19	16702000		Diaphragm Assembly						
20	41300385		Nozzle						

National Welding

Models 728 & 729

Line (Station) Regulator

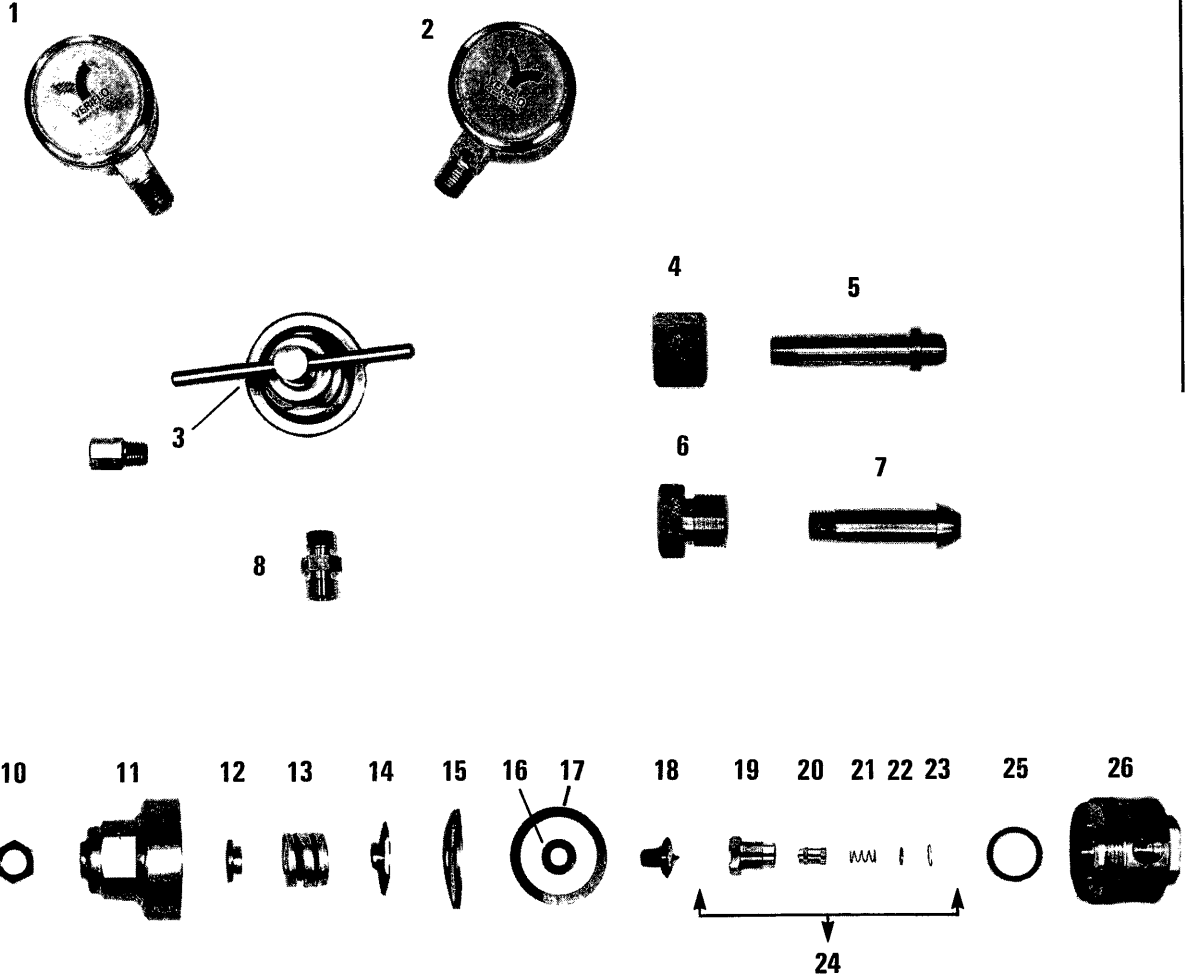


REF. NO.	MFG. NO.	S-S NO.	DESCRIPTION	CODE	REF. NO.	MFG. NO.	S-S NO.	DESCRIPTION	CODE
1	16510205		Gauge Plain 2-1/2" x 200# Brass		21	16231004	N-131	Gasket	
2	16510035		Gauge Plain 2-1/2" x 30# Brass		22	16231023	N-134	Gasket	
3	11801180		Nut L.H.		23	11011091		Actuating Pin	
4	16901081		Inlet Nipple		24	11001644		Nozzle	
5	11801182		Nut R.H.		25	11002664	N-105	Seat Assembly	
6	11001252		Outlet Conn. (R.H.)		26	11001583		Button	
7	11001253		Outlet Conn. (L.H.)		27	16051000		Spring	
8	11001025		Cap Nut		28	11002644		Seat & Nozzle Assembly	
9	11001027		Adjusting Wheel		29	Not Sold		Body	
10	15601858		Packing Nut						
11	11031022		Packing						
12	11001004		Adjusting Screw						
13	11001141		Bushing						
14	11001122		Diaphragm Cap						
15	11002185		Spring Button						
16	16051066		Spring (Acet.)						
17	16051068		Spring (Oxy.)						
18	11001162		Diaphragm Plate						
19	11011077	N-128	Diaphragm (Oxy.)						
20	11011078		Diaphragm (Acet.)						

National Welding

5600 Series

High Pressure Regulator

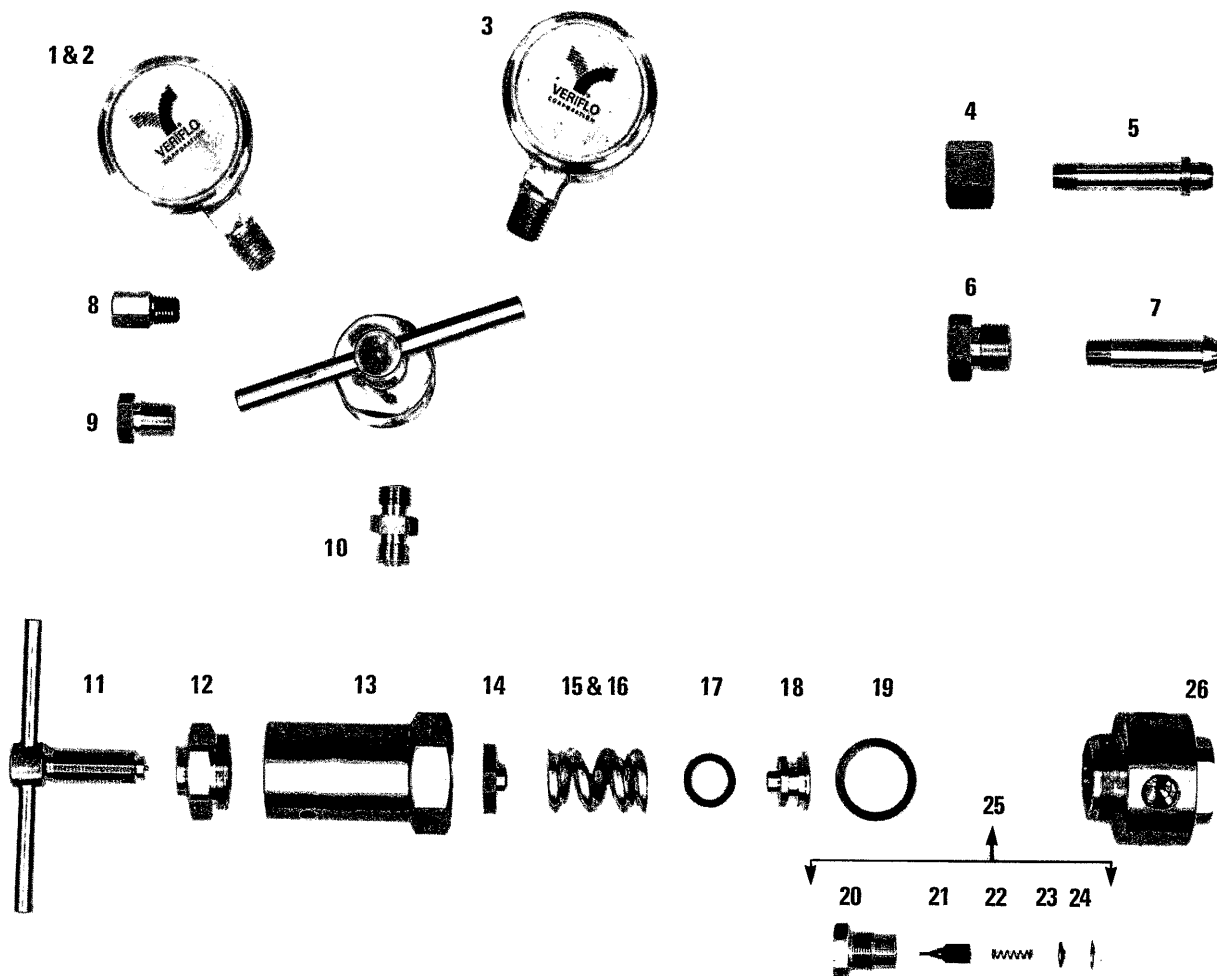


REF. NO.	MFG. NO.	S-S NO.	DESCRIPTION	CODE	REF. NO.	MFG. NO.	S-S NO.	DESCRIPTION	CODE
1	16510604		Gauge Plain 2" x 600# Brass		21	46011168		Spring	
2	16514004		Gauge Plain 2" x 4000# Brass		22	11000444		Washer Screen	
3	15300080	N-345	Relief Valve		23	16600194		Retaining Ring	
4	11801544		Inlet Nut CGA-540		24	11000190	N-187	Seat & Nozzle Assembly	
5	11802557		Inlet Nipple CGA-540		25	46231339	N-238	Nozzle Gasket	
6	11801584		Inlet Nut CGA-580		26	Not Sold		Body	
7	11802519	N-358	Inlet Nipple CGA-580						
8	11001252		Outlet Conn.						
9	11002020		Adjusting Stem Assy.						
10	41301068		Nut (2)						
11	11001124		Diaphragm Cap						
12	11002185		Spring Button						
13	16051068		Spring						
14	11001160		Diaphragm Plate						
15	11011073		Diaphragm						
16	16231004	N-131	Gasket						
17	16231003	N-132	Gasket						
18	11011090	N-122	Pin						
19	11000294		Nozzle						
20	11000195	N-247	Seat Assembly						

National Welding

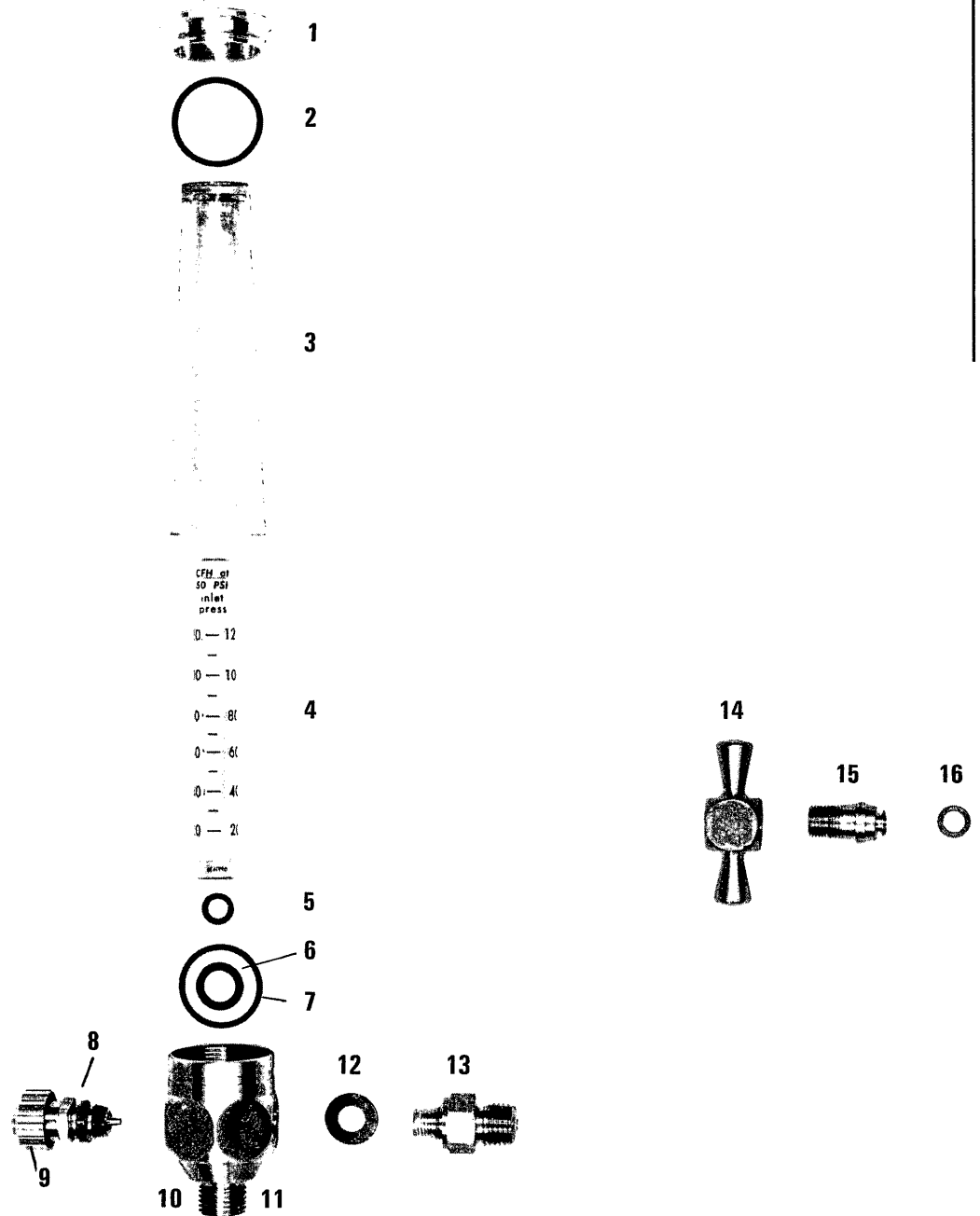
5800 Series

High Pressure Regulator



REF. NO.	MFG. NO.	S-S NO.	DESCRIPTION	CODE	REF. NO.	MFG. NO.	S-S NO.	DESCRIPTION	CODE
1	16511504	N-358	Gauge Plain 2" x 1500# Brass		21	41103006	N-308	Poppet Assembly	
2	16510034		Gauge Plain 2" x 3000# Brass		22	46011007		Spring	
3	16514004		Gauge Plain 2" x 4000# Brass		23	11000444		Washer Screen	
4	11801544		Inlet Nut CGA-540		24	16600194	Retaining Ring		
5	11802557		Inlet Nipple CGA-540		25	41102002	Seat & Nozzle Assembly		
6	11801584		Inlet Nut CGA-580		26	Not Sold	Body		
7	11802519		Inlet Nipple CGA-580						
8	15300019		Relief Valve (1000# only)						
9	11001205		Gauge Plug						
10	11001252		Outlet Connection						
11	11002052		Adj. Screw Assy.						
12	11001610		Bushing						
13	11001609		Diaphragm Cap						
14	11002187		Spring Button						
15	16061005		Spring (1000#)						
16	16061004		Spring (0-2000# Range - Not shown)						
17	9993-140		O-Ring						
18	11001155		Piston						
19	16231018		Gasket						
20	41300380		Nozzle						

National Welding Flowmeters

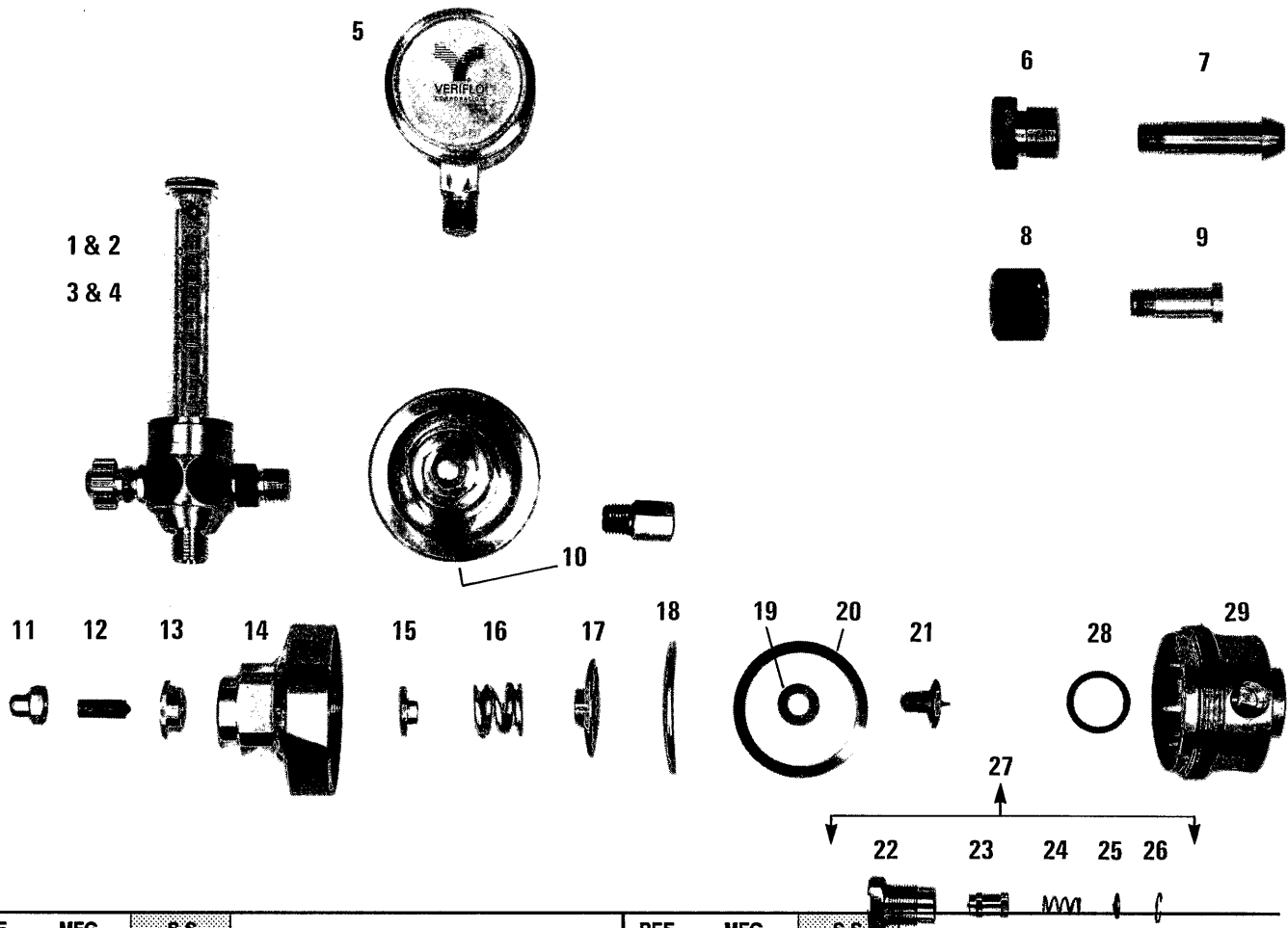


REF. NO.	MFG. NO.	S-S NO.	DESCRIPTION	CODE	REF. NO.	MFG. NO.	S-S NO.	DESCRIPTION	CODE
1	14001036		Bushing		9	14002024		Valve Stem Assembly	
2	16141029	N-268	O-Ring		10	14000013		Body	
3	14091035	N-265	Dome		11	14001038		Body (Female outlet not shown)	
4			Tube and Ball Assemblies		12	16231006		Gasket	
5	16141006	N-091	O-Ring		13	14001005		Adapter	
6	16231026		Gasket		14	19801052		Wing Nut	
7	16141040	N-092	O-Ring		15	19207185		Nipple	
8	14001034		Valve Adapter		16	9993143		O-Ring	

National Welding

5900 Series

Single-Stage Flowmeter Regulator



REF. NO.	MFG. NO.	S-S NO.	DESCRIPTION	CODE	REF. NO.	MFG. NO.	S-S NO.	DESCRIPTION	CODE
1	14600040		Flowmeter Argon		25	11000444		Washer Screen	
2	14600080		Flowmeter Argon		26	16600194		Retaining Ring	
3	14500100		Flowmeter Helium		27	11000190	N-187	Seat & Nozzle Assembly	
4	14200075		Flowmeter CO ₂		28	46231339	N-238	Nozzle Gasket	
5	16514004		Gauge Plain 2" x 4000# Brass		29	Not Sold		Body	
6	11801584		Inlet Nut CGA-580						
7	11802519	N-358	Inlet Nipple CGA-580						
8	11801304		Inlet Nut CGA-320						
9	11802329		Inlet Nipple CGA-320						
10	15300070	N-171	Relief Valve						
11	11001030		Cap Nut						
12	11001046	N-167	Adjusting Screw						
13	11001147		Cap Bushing						
14	11001121		Diaphragm Cap						
15	11001175		Spring Button						
16	16051067		Spring						
17	11001161		Diaphragm Plate						
18	11011076		Diaphragm						
19	16231004	N-131	Gasket						
20	16231013	N-133	Gasket						
21	11011090	N-122	Pin						
22	11000294		Nozzle						
23	11000195	N-247	Seat Assembly						
24	46011168		Spring						



